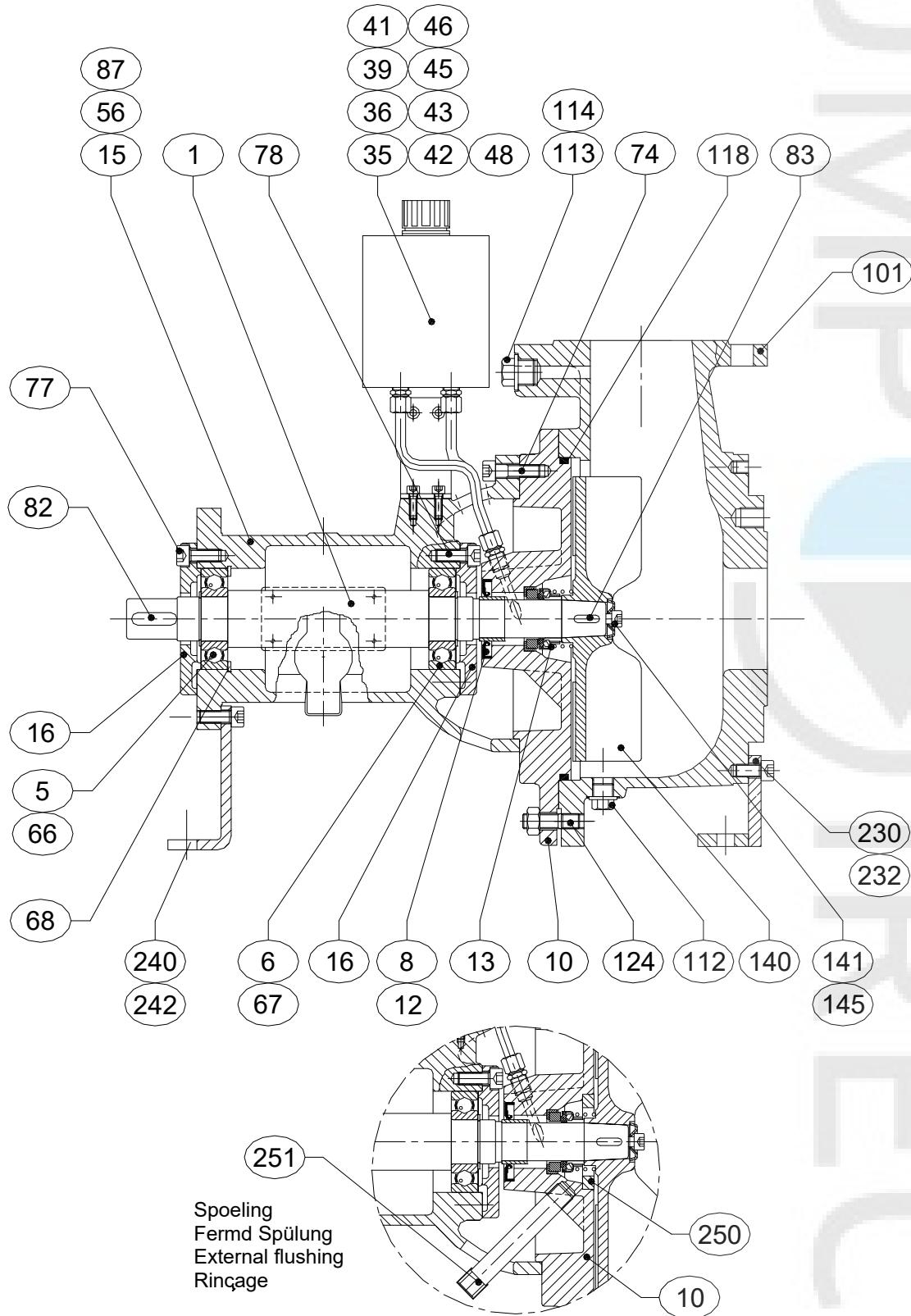


Basic version

Pos	Qty	Part nr	Robot nr	Description		Pattern	Material
1	1		R703-381-RM	Pump shaft	BW20 con30/Ø38		
5	1	9L0437	R750-054	Ball bearing	6307-2Z-C3		
6	1	9L0437	R750-054	Ball bearing	6307-2Z-C3		
8	1	9D1133	R706-347	Seal sleeve	Ø30 CR 99114		
10	1	706270	R704-157-GG	Seal housing	BW20	P4031	EN-GJL-250
12	1	9D1132	R706-346	Lip seal	Ø30/Ø62x7 CB 30x62x07.64		
13	1	9D2267	R706-318	Mechanical seal	Ø30 NBR / SiC / 1.4571		SiC/SiC/NBR
15	1		R707-188-GG	Bearing housing	Ø 80		
16	2		R707-192-GG	Bearing housing cover			
35	1	706234	R716-071-RV	Oil tank			AISI 304
36	1	706210	R716-086	Filling plug			
	1	9B5320	R756-137	Plug	G 1"		PA 66
39	1	706235	R716-072	Bracket	-H		S235JR
41	2	706233	R716-043	Coupling	RIK 8x1/4"		CuZn 40
42	2	706233	R716-043	Coupling	RIK 8x1/4"		CuZn 40
43	2	9M5530	R716-031	Pipe	Ø8 L=100mm		Cu
45	2	9B4423	R754-141	Hexagon socket screw	M 6 x 20		AISI 316
46	2	9B4423	R754-141	Hexagon socket screw	M 6 x 20		AISI 316
47	2	9B4722	R758-088	Lock washer	(M 6)		AISI 316
48	2	9B3803	R755-077	Nut	M 6		AISI 316
56	1	706200	R713-177-RZ	Data plate	BW/BT/BD BWP/BNP		AISI 316
66	1	9B1835	R752-004	Circlip	A 35x1.5		spring steel
67	1	9B1835	R752-004	Circlip	A 35x1.5		spring steel
68	1	9B2080	R752-031	Circlip	J 80x2.5		spring steel
74	4	9B4443 repl	R754-116	Hexagon socket screw	M10x 35		
77	4	9B4441 repl	R754-027	Hexagon socket screw	M10x 25		
78	4	9B4441 repl	R754-027	Hexagon socket screw	M10x 25		
82	1	9B2420	R756-138	Key	10x 8x36		AISI 316
83	1	9B2305	R756-101	Key	6 x 6x20		AISI 316
87	4	9B4202	R757-076	Data plate rivet	2.9x6.5		AISI 316
101	1	706262	R701-157-GG	Volute	BW20/21 8G NW 80	P4030	EN-GJL-250
112	1	9B5310	R709-325	Plug	G 3/8"		CuZn 40
113	1	9B5309	R756-107	Plug	G 1/2"		CuZn 40
114	1	706231	R713-175	Seal ring	A 17x23x1.5 plug G3/8"		Cu
115	1	706230	R713-034	Seal ring	A 21x26x1.5 plug G1/2"		Cu
118	1	9D1368	R751-176	O-ring	249.3x 5.7		NBR
124	4	9B4453	R754-182	Hexagon socket screw	M12x 35		AISI 316
140	1	W06317	R708-366-NG	Impeller	RW4021/31/32 con30	P4028	EN-GJS-400-15
	(1)		R708-366-NG-1	Impeller	178 RW4021/31/32 con30		
	(1)		R708-366-NG-1	Impeller	175 RW4021/31/32 con30		
	(1)		R708-366-NG-1	Impeller	174 RW4021/31/32 con30		
	(1)		R708-366-NG-1	Impeller	173 RW4021/31/32 con30		
	(1)		R708-366-NG-1	Impeller	170 RW4021/31/32 con30		

Pos	Qty	Part nr	Robot nr	Description		Pattern	Material
140	(1)		R708-366-NG-1	Impeller	165 RW4021/31/32 con30		
	(1)		R708-366-NG-1	Impeller	160 RW4021/31/32 con30		
	(1)		R708-366-NG-1	Impeller	155 RW4021/31/32 con30		
	(1)		R708-366-NG-1	Impeller	150 RW4021/31/32 con30		
	(1)		R708-366-NG-1	Impeller	145 RW4021/31/32 con30		
	(1)		R708-366-NG-1	Impeller	140 RW4021/31/32 con30		
	(1)		R708-366-NG-1	Impeller	135 RW4021/31/32 con30		
	(1)		R708-366-NG-1	Impeller	125 RW4021/31/32 con30		
141	1	706261	R713-226-RU	Impeller hubcap	ø30xø9x4		AISI 329
145	1	706292	R754-117	Hex. sock. screw counter sunk.	M 8x 20		AISI 316
<b>Supplement support horizontal installation</b>							
230	1	706290	R710-196-ST	Volute support	H hh180		S235JR
	(1)	76259S	R710-299-ST	Volute support	H (GP) hh180		S235JR
232	3	9B4440 repl	R754-092	Hexagon socket screw	M10x 20		
240	1		R710-400-ST	Bearing housing support	20 hh180		
	(1)		R710-403-ST	Bearing housing support	20 (GP) hh180		
242	2	9B4441 repl	R754-027	Hexagon socket screw	M10x 25		
<b>Supplement Found. plate, coupling and motor IEC112/132-2pole</b>							
304	(1)		R710-339	Coupling	J-Flex Spacer 100-IEC100/112 Ø 28/32		
	(1)	9T0704	R710-344	Coupling	J-Flex Spacer 110-IEC132S+M Ø 32/38		
308	1		R710-278-ST	Foundation plate	1000x470x100		
309	1		R710-428-ST	Protecting hood	BW20/ BT20 IEC100/112		
310	8	9B3905	R758-097	Washer	(M10)		AISI 316
312	4	9B3046 repl	R753-142	Hexagon-head bolt	M10x 40		
313	4	9B3805 repl	R755-029	Nut	M10		
314	1	9B4494 repl	R754-120	Hexagon socket screw	M10x 45		
400	(1)	9T1552	R790-008	Motor	IEC132S 5.5 kW-2 voet B3		
	(1)	IEC132S 7.5-2B3	R790-009	Motor	IEC132S 7.5 kW-2 voet B3		
401	(2)		R710-302-ST	Motor support	IEC112M hh180		
401	(2)	76260S	R710-303-ST	Motor support	IEC132 hh180		S235JR
<b>Option: seal flushing</b>							
10	1	76552G	R704-157-GG-F	Seal housing	BWP22-S spoelw/flushing	P4031	EN-GJL-250
250	1	76553Z	R711-171-RZ	Baffle plate	BW20/21/2500		AISI 316
251	1	706232	R716-029	Pipe nipple	R3/8 x 150		AISI 316
<b>Option Sparepart kit</b>							
600	1	77885E	R506-6000	Spare part kit	BW20-H/V/K		
<b>Option Sparepart kit</b>							
1	2	76388C	R710-373		J-Flex swift kit 100/80° Complete set 1 zijde		
<b>Option Sparepart kit</b>							
1	2	76387C	R710-374		J-Flex swift kit 110/80° Complete set 1 zijde		

BW2021-HM  
BW2020-HM



**BW2021-HM**  
**BW2020-HM**

