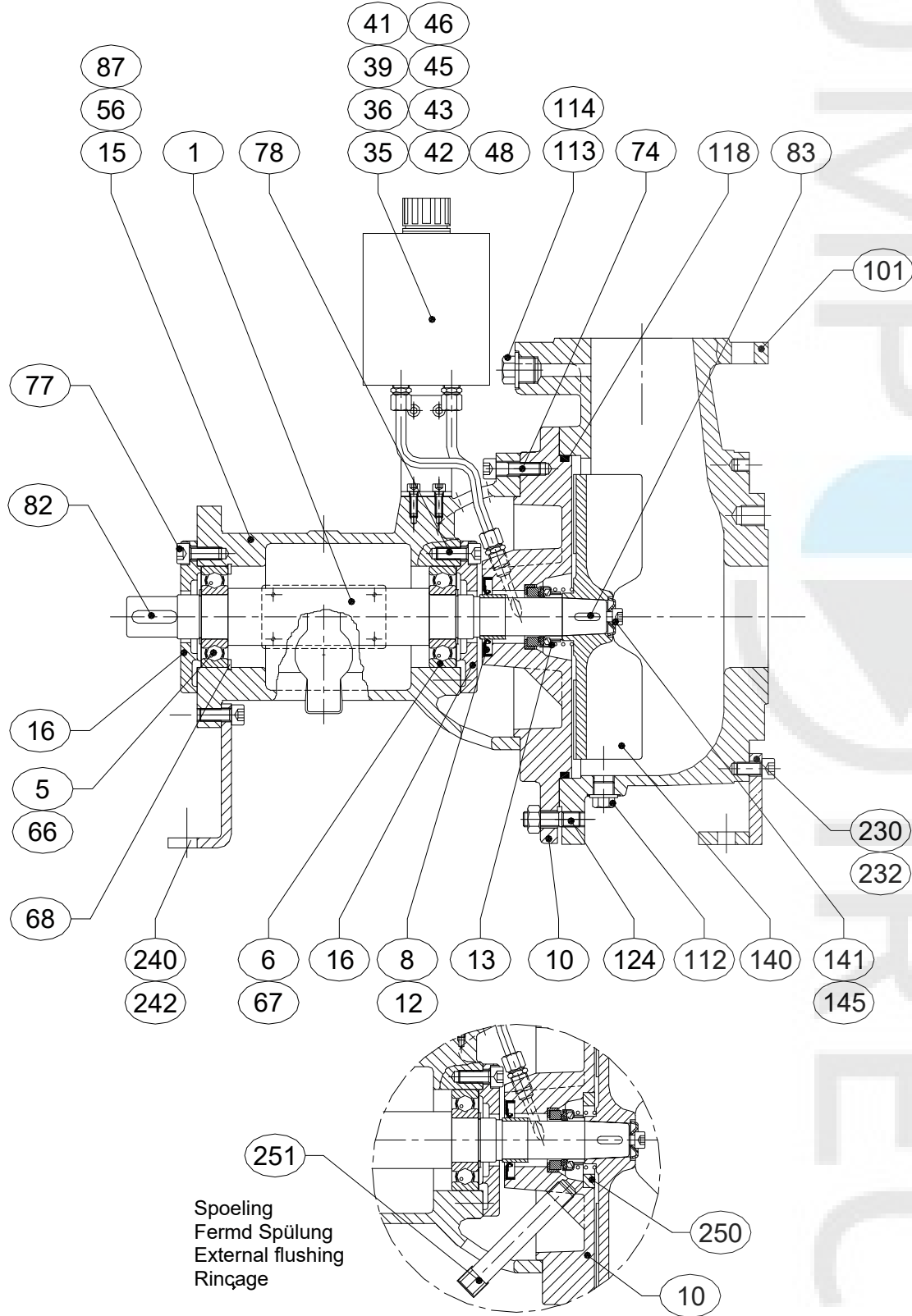


Stainless steel version

Pos	Qty	Part nr	Robot nr	Description	Pattern	Material
1	1		R703-381-RZ	Pump shaft	BW20 con30/Ø38	
5	1	9L0437	R750-054	Ball bearing	6307-2Z-C3	
6	1	9L0437	R750-054	Ball bearing	6307-2Z-C3	
8	1	9D1133	R706-347	Seal sleeve	Ø30 CR 99114	
10	1	76433U	R704-157-RZ	Seal housing	BW 20/21	P587U AISI 329
12	1	9D1132	R706-346	Lip seal	Ø30/Ø62x7 CB 30x62x07.64	
13	1	9D2269	R706-317	Mechanical seal	Ø30 Viton	SiC/SiC/FPM
15	1		R707-188-GG	Bearing housing	Ø 80	
16	2		R707-192-GG	Bearing housing cover		
49	1	706280	R716-091	Pipe nipple	R1/4"x100	Fe galv.
50	1	9F2502	R716-092	Socket	R1/4"	Fe galv.
51	1	9B5420	R756-139	Plug	R 1/4"	AISI 316
35	1	706234	R716-071-RV	Oil tank		AISI 304
36	1	706210	R716-086	Filling plug		
	1	9B5320	R756-137	Plug	G 1"	PA 66
39	1	706235	R716-072	Bracket	-H	S235JR
41	2	706233	R716-043	Coupling	RIK 8x1/4"	CuZn 40
42	2	706233	R716-043	Coupling	RIK 8x1/4"	CuZn 40
43	2	9M5530	R716-031	Pipe	Ø8 L=100mm	Cu
45	2	9B4423	R754-141	Hexagon socket screw	M 6 x 20	AISI 316
46	2	9B4423	R754-141	Hexagon socket screw	M 6 x 20	AISI 316
47	2	9B4722	R758-088	Lock washer	(M 6)	AISI 316
48	2	9B3803	R755-077	Nut	M 6	AISI 316
56	1	706200	R713-177-RZ	Data plate	BW/BT/BD BWP/BNP	AISI 316
66	1	9B1835	R752-004	Circlip	A 35x1.5	spring steel
67	1	9B1835	R752-004	Circlip	A 35x1.5	spring steel
68	1	9B2080	R752-031	Circlip	J 80x2.5	spring steel
74	4	9B4443 repl	R754-116	Hexagon socket screw	M10x 35	
77	4	9B4441 repl	R754-027	Hexagon socket screw	M10x 25	
78	4	9B4441 repl	R754-027	Hexagon socket screw	M10x 25	
82	1	9B2420	R756-138	Key	10x 8x36	AISI 316
83	1	9B2305	R756-101	Key	6 x 6x20	AISI 316
87	4	9B4202	R757-076	Data plate rivet	2.9x6.5	AISI 316
101	1	76364U	R701-157-RU	Volute	BW20/21 8G NW 80	P475U AISI329
112	1	9B5311	R756-132	Plug	G 3/8"	AISI 316
113	1	9B5312	R756-123	Plug	G 1/2"	AISI 316
114	1	77083L	R756-147	Seal ring	Ø17x24x2 plug G3/8"	PTFE
115	1	77082L	R756-148	Seal ring	Ø21xØ27x2 (G1/2")	PTFE
118	1	9D1314	R751-176-VI	O-ring	249.3x 5.7	Viton
124	4	9B4453	R754-182	Hexagon socket screw	M12x 35	AISI 316
140	1		R708-369-RZ	Impeller	RW4021/31/32 con30	
	(1)		R708-369-RZ-17	Impeller	178 RW4021/31/32 con30	
	(1)		R708-369-RZ-17	Impeller	176 RW4021/31/32 con30	

Pos	Qty	Part nr	Robot nr	Description	Pattern	Material
140	(1)		R708-369-RZ-17	Impeller	170 RW4021/31/32 con30	
	(1)		R708-369-RZ-16	Impeller	165 RW4021/31/32 con30	
	(1)		R708-369-RZ-16	Impeller	160 RW4021/31/32 con30	
	(1)		R708-369-RZ-15	Impeller	155 RW4021/31/32 con30	
	(1)		R708-369-RZ-15	Impeller	150 RW4021/31/32 con30	
	(1)		R708-369-RZ-14	Impeller	145 RW4021/31/32 con30	
	(1)		R708-369-RZ-14	Impeller	140 RW4021/31/32 con30	
	(1)		R708-369-RZ-13	Impeller	135 RW4021/31/32 con30	
	(1)		R708-369-RZ-13	Impeller	130 RW4021/31/32 con30	
	(1)		R708-369-RZ-12	Impeller	125 RW4021/31/32 con30	
	(1)		R708-369-RZ-12	Impeller	120 RW4021/31/32 con30	
	(1)		R708-369-RZ-11	Impeller	110 RW4021/31/32 con30	
141	1	706261	R713-226-RU	Impeller hubcap	ø30xø9x4	AISI 329
145	1	706292	R754-117	Hex. sock. screw counter sunk.	M 8x 20	AISI 316
Supplement support horizontal installation						
230	1	706290	R710-196-ST	Volute support	H hh180	S235JR
	(1)	76259S	R710-299-ST	Volute support	H (GP) hh180	S235JR
232	3	9B4440 repl	R754-092	Hexagon socket screw	M10x 20	
240	1		R710-400-ST	Bearing housing support	20 hh180	
	(1)		R710-403-ST	Bearing housing support	20 (GP) hh180	
242	2	9B4441 repl	R754-027	Hexagon socket screw	M10x 25	
Supplement Found. plate, coupling and motor IEC112/132-2pole						
304	(1)		R710-339	Coupling	J-Flex Spacer 100-IEC100/112 Ø 28/32	
	(1)	9T0704	R710-344	Coupling	J-Flex Spacer 110-IEC132S+M Ø 32/38	
308	1		R710-278-ST	Foundation plate	1000x470x100	
309	1		R710-428-ST	Protecting hood	BW20/ BT20 IEC100/112	
310	8	9B3905	R758-097	Washer	(M10)	AISI 316
312	4	9B3046 repl	R753-142	Hexagon-head bolt	M10x 40	
313	4	9B3805 repl	R755-029	Nut	M10	
314	1	9B4494 repl	R754-120	Hexagon socket screw	M10x 45	
400	(1)	9T1552	R790-008	Motor	IEC132S 5.5 kW-2 voet B3	
	(1)	IEC132S 7.5-2B3	R790-009	Motor	IEC132S 7.5 kW-2 voet B3	
401	(2)		R710-302-ST	Motor support	IEC112M hh180	
401	(2)	76260S	R710-303-ST	Motor support	IEC132 hh180	S235JR
Option Sparepart kit						
600	1	77885E	R506-6000	Spare part kit	BW20-H/V/K	
Option Sparepart kit						
1	2	76388C	R710-373		J-Flex swift kit 100/80° Complete set 1 zijde	
Option Sparepart kit						
1	2	76387C	R710-374		J-Flex swift kit 110/80° Complete set 1 zijde	

BW2021-HM
BW2020-HM



BW2021-HM
BW2020-HM

