

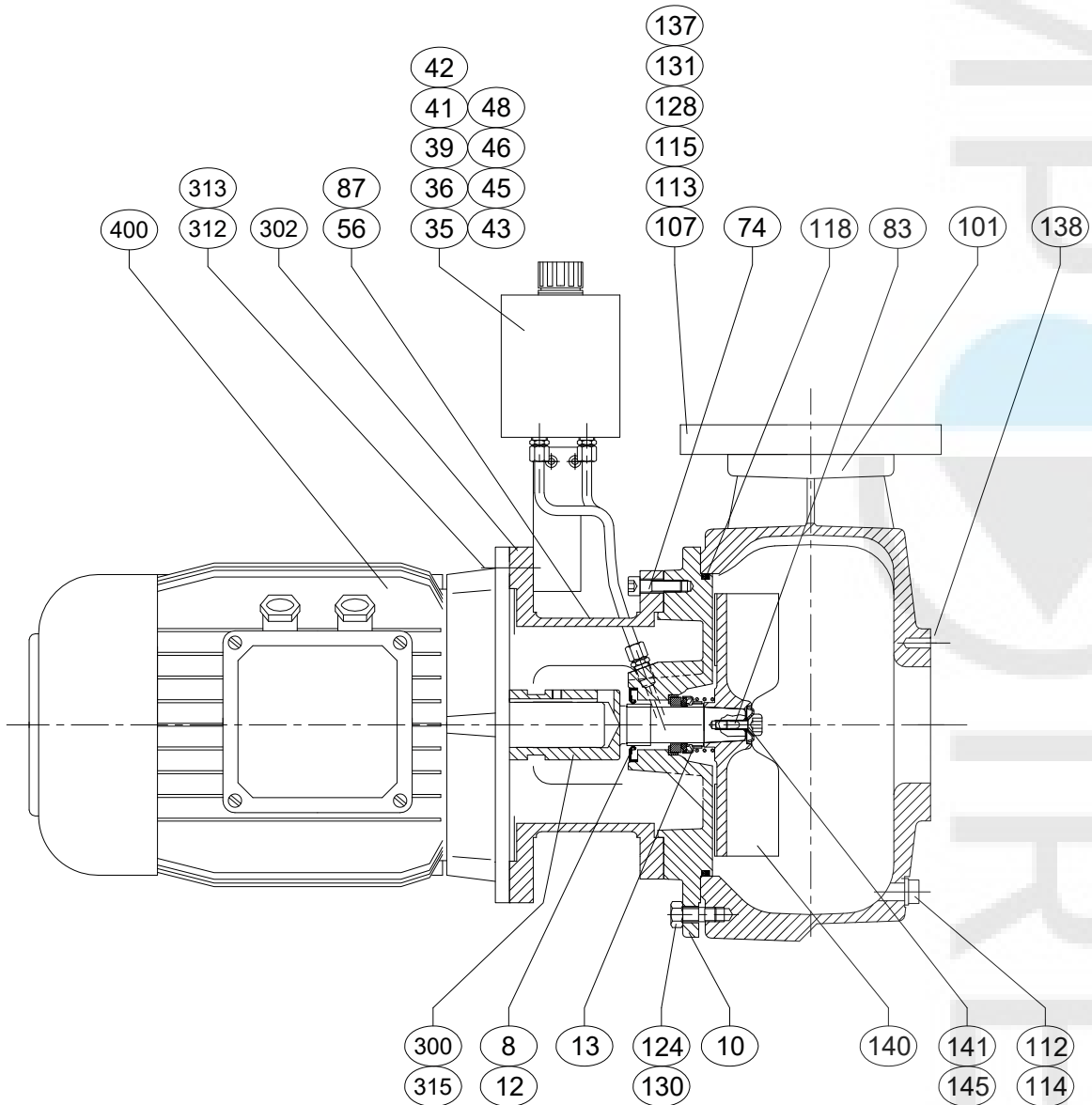
Basic version

Pos	Qty	Part nr	Robot nr	Description		Pattern	Material
8	1	9D1133	R706-347	Seal sleeve	Ø30 CR 99114		
10	1	706270	R704-157-GG	Seal housing	BW20	P4031	EN-GJL-250
12	1	9D1132	R706-346	Lip seal	Ø30/Ø62x7 CB 30x62x07.64		
13	1	9D2267	R706-318	Mechanical seal	Ø30 NBR / SiC / 1.4571		SiC/SiC/NBR
35	1	706234	R716-071-RV	Oil tank			AISI 304
36	1	706210	R716-086	Filling plug			
39	1	706288	R716-066	Support	BW HS		S235JR
41	2	706233	R716-043	Coupling	RIK 8x1/4"		CuZn 40
42	2	706233	R716-043	Coupling	RIK 8x1/4"		CuZn 40
43	2	9M5530	R716-031	Pipe	Ø8 L=100mm		Cu
45	1	9B4451	R754-183	Hexagon socket screw	M12x 25		AISI 316
46	2	9B4423	R754-141	Hexagon socket screw	M 6 x 20		AISI 316
47	2	9B4722	R758-088	Lock washer	(M 6)		AISI 316
48	2	9B3803	R755-077	Nut	M 6		AISI 316
56	1	77256Z	R713-259-RZ	Data plate	Blanco 87x45x1		
74	4	9B4443	R754-169	Hexagon socket screw	M10x 35		AISI 316
83	1	9B2305	R756-101	Key	6 x 6x20		AISI 316
87	4	9B4202	R757-076	Data plate rivet	2.9x6.5		AISI 316
96	1	9S0033	R906-069	Oil	Shell Tellus 32 2 ltr		
101	1	706268	R701-213-GG	Volute	RW4030-A BW20/4030	P4015	EN-GJL-250
107	1	706279	R712-161-ST	Reducer flange	R100-NW100		S235JR
	(1)		R712-214-ST	Reducer flange	R100-4" ANSI 150		
112	1	9B5310	R709-325	Plug	G 3/8"		CuZn 40
113	1	9B5310	R709-325	Plug	G 3/8"		CuZn 40
114	1	706231	R713-175	Seal ring	A 17x23x1.5 plug G3/8"		Cu
115	1	706231	R713-175	Seal ring	A 17x23x1.5 plug G3/8"		Cu
118	1	9D1368	R751-176	O-ring	249.3x 5.7		NBR
124	4	9B3715	R753-222	Stud bolt	M12 x 30		AISI 316
128	4	9B4456	R754-113	Hexagon socket screw	M12x 50		AISI 316
130	4	9B3806	R755-091	Nut	M12		AISI 316
131	4	9B3806	R755-091	Nut	M12		AISI 316
133	4	9B3906	R758-102	Washer	(M12)		AISI 316
134	4	9B3906	R758-102	Washer	(M12)		AISI 316
137	1	706282	R761-002	Gasket	140xØ105x2		CR
138	1	706281	R760-138	Gasket	Ø158xØ100x3		CR
140	1	W06272	R708-360-NG	Impeller	RW4030/BW20/4030 con30	P4017	EN-GJS-400-15
	(1)		R708-360-NG-2	Impeller	252 RW4030/BW20 con30		
	(1)		R708-360-NG-2	Impeller	245 RW4030/BW20 con30		
	(1)		R708-360-NG-2	Impeller	235 RW4030/BW20 con30		
	(1)		R708-360-NG-2	Impeller	232 RW4030/BW20 con30		
	(1)		R708-360-NG-2	Impeller	230 RW4030/BW20 con30		
	(1)		R708-360-NG-2	Impeller	225 RW4030/BW20 con30		
	(1)		R708-360-NG-2	Impeller	215 RW4030/BW20 con30		
	(1)		R708-360-NG-2	Impeller	205 RW4030/BW20 con30		
	(1)		R708-360-NG-2	Impeller	200 RW4030/BW20 con30		
	(1)		R708-360-NG-1	Impeller	190 RW4030/BW20 con30		

Pos	Qty	Part nr	Robot nr	Description		Pattern	Material
140	(1)		R708-360-NG-1	Impeller	175 RW4030/BW20 con30		
	(1)		R708-360-NG-1	Impeller	170 RW4030/BW20 con30		
	(1)		R708-360-NG-1	Impeller	150 RW4030/BW20 con30		
141	1	706261	R713-226-RU	Impeller hubcap	ø30xø9x4		AISI 329
145	1	706292	R754-117	Hex. sock. screw counter sunk.	M 8x 20		AISI 316
Supplement support horizontal installation							
230	1	706276	R710-398-ST	Volute support	H BW NW100 hh225		S235JR
	(1)		R710-476-ST	Volute support	H BW 4" ANSI 150 hh225		
231	1	706224	R710-402-ST	Volute support	-2 BW BWP		S235JR
232	6	9B4441 repl	R754-027	Hexagon socket screw	M10x 25		
233	(2)	9B4462	R754-102	Hexagon socket screw	M16x 30		
234	(2)	9B3907 repl	R758-084	Washer	(M16)		
235	(2)	9B3807 repl	R755-086	Nut	M16		
Supplement motor support hor. installation IEC100/112							
240	1	706286	R710-426-ST	Support	IEC100/112 hh225		S235JR
242	3	9B4451	R754-183	Hexagon socket screw	M12x 25		AISI 316
Supplement motor support hor. installation IEC132							
240	1	706275	R710-385-ST	Support	IEC132/160/180 hh225		S235JR
242	3	9B4451	R754-183	Hexagon socket screw	M12x 25		AISI 316
Supplement support vertical installation							
230	1	706287	R715-092-ST	Support	V NW100		S235JR
	(1)		R715-105-ST	Support	V 4" ANSI 150 USA ANSI 150		
	(1)	76562S	R712-261-ST	Suction flange	NW100-BWP22-30VS		S235JR
232	6	9B4441	R754-153	Hexagon socket screw	M10x 25		AISI 316
Supplement support, shaft and motors IEC100/112							
300	1	706285	R703-353-RM	Pump shaft extension	IEC100/112 con30/Ø28		AISI 304
302	1	706284	R700-129-GG	Support	IEC100/112	P4027	EN-GJL-250
310	4	9B3906	R758-102	Washer	(M12)		AISI 316
313	4	9B3715	R753-222	Stud bolt	M12 x 30		AISI 316
314	4	9B3806	R755-091	Nut	M12		AISI 316
315	1	9B4428	R754-197	Hexagon socket screw	M 8x 12		AISI 316
330	2	706278	R710-494-ST	Protecting shield	BW, BT VK8/St10		Fe galv.
331	4	9B4420	R754-184	Hexagon socket screw	M 6 x 12		AISI 316
400	(1)	IEC100L 0.75-8B5	R790-058	Motor	IEC100L 0.75 kW-8 Flens B5		
	(1)	IEC100L 1.5-6B5	R790-043	Motor	IEC100L 1.5 kW-6 Flens B5		
	(1)	IEC112M 2.2-6B5	R790-044	Motor	IEC112M 2.2 kW-6 Flens B5		
	(1)	IEC100L 2.2-4B5	R790-027	Motor	IEC100L 2.2 kW-4 Flens B5		
	(1)	9T1555	R790-028	Motor	IEC100L 3 kW-4 Flens B5		
	(1)	IEC112M 4.0-4B5	R790-029	Motor	IEC112M 4 kW-4 Flens B5		
Supplement support, shaft and motor IEC132							
300	1	706269	R703-354-RZ	Pump shaft extension	IEC132 con30/Ø38		AISI 316
302	1	706266	R700-135-GG	Support	IEC132 -HS -VS	P4027	EN-GJL-250
310	4	9B3906	R758-102	Washer	(M12)		AISI 316
313	4	9B3715	R753-222	Stud bolt	M12 x 30		AISI 316

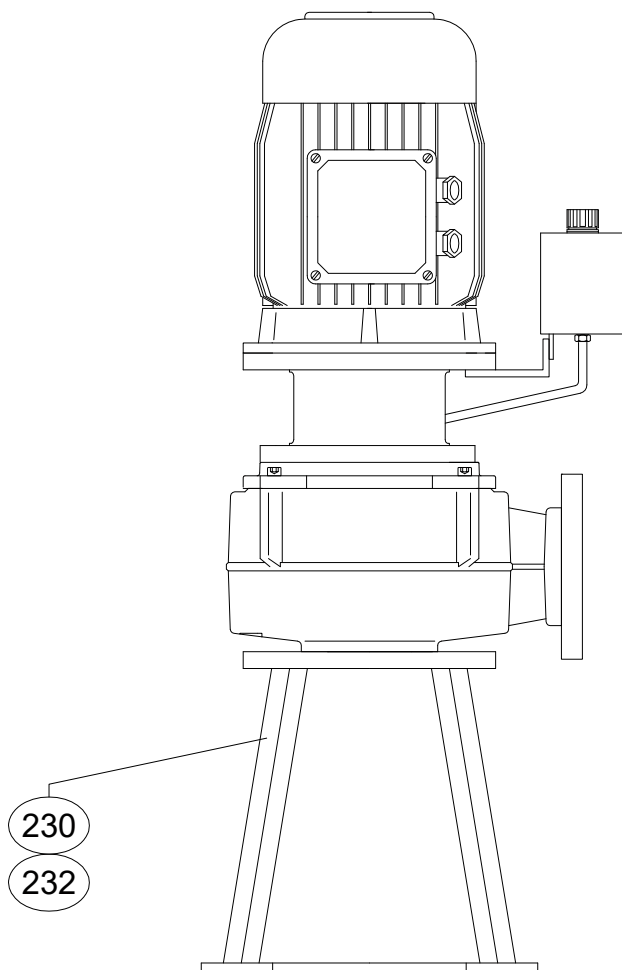
Pos	Qty	Part nr	Robot nr	Description		Pattern	Material
314	4	9B3806	R755-091	Nut	M12		AISI 316
315	1	9B4428	R754-197	Hexagon socket screw	M 8x 12		AISI 316
330	2	706278	R710-494-ST	Protecting shield	BW, BT VK8/St10		Fe galv.
331	4	9B4420	R754-184	Hexagon socket screw	M 6 x 12		AISI 316
400	(1)	9T1523	R790-031-YT	Motor	IEC132M 7.5kW-1450 400/690V 50Hz Flens B5 Incl. PTC IE3		
	(1)	9T1521	R790-054-YT	Motor	IEC132S 3.0kW-960 400/690V 50Hz Flens B5 incl. PTC IE3		
Option: seal flushing							
10	1	76552G	R704-157-GG-F	Seal housing	BWP22-S spoelw/flushing	P4031	EN-GJL-250
250	1	76553Z	R711-171-RZ	Baffle plate	BW20/21/2500		AISI 316
251	1	9M5530	R716-031	Pipe	Ø8 L=100mm		Cu
253	1	9F0353	R716-093	Reducer	R3/8"-R1/4" bu/bi		Fe galv.
254	2	706233	R716-043	Coupling	RIK 8x1/4"		CuZn 40
255	1	9F2502	R716-092	Socket	R1/4"		Fe galv.
Option Sparepart kit							
600	1	77885E	R506-6000	Spare part kit	BW20-H/V/K		

BW2040-S
BW2030-S



BW2040-S
BW2030-S

BW2040-SV
BW2030-SV



BW2040-SH
BW2030-SH

