

Basic version

Pos	Qty	Part nr	Robot nr	Description		Pattern	Material
1	1	706211	R703-117-RM	Pump shaft	Ø35/42		AISI 431
5	1	9L0390	R750-057	Ball bearing	6310-2Z		
	(1)	9L1110	R750-101	Ang. contact ball bearing	3310-2Z IEC200/225		
6	1	9L0390	R750-057	Ball bearing	6310-2Z		
7	1	706212	R706-084-RD	Seal sleeve	Ø40/Ø50		AISI 303
8	1	9L6430	R706-216	Seal sleeve	IR40x45x20		
10	1	706203	R704-178-GG	Seal housing	BW3/5000	P4004	EN-GJL-250
12	1	9D1130	R706-215	Lip seal	BA 45x60x7		
13	1	9D2265	R706-277	Mechanical seal	Ø50 primair		SiC/SiC/NBR
14	2	9D1131	R706-334	Lip seal	OBC 050.065.10-11		
15	1	706213	R707-189-GG	Bearing housing	Ø110 IEC132/180	P4016	EN-GJL-250
	(1)		R707-204-GG	Bearing housing	-V Ø110/Ø110 IEC200/280		
16	1	76164G	R707-212-GG	Bearing housing cover	-V IEC132/180	P436G	EN-GJL-250
	(1)	706206	R707-209-GG	Bearing housing cover	IEC132/180	P4001	EN-GJL-250
17	1	706205	R707-198-GG	Bearing housing cover		P4001	EN-GJL-250
18	1	706246	R707-084-ST	Distance ring	IEC100-180		S235JR
35	1	706234	R716-071-RV	Oil tank			AISI 304
36	1	706210	R716-086	Filling plug			
39	1	76368V	R716-089-ST	Bracket	-V < IEC 200		RVS 304
41	2	706233	R716-043	Coupling	RIK 8x1/4"		CuZn 40
42	2	706233	R716-043	Coupling	RIK 8x1/4"		CuZn 40
43	2	9M5530	R716-031	Pipe	Ø8 L=100mm		Cu
45	2	9B4423	R754-141	Hexagon socket screw	M 6 x 20		AISI 316
46	2	9B4423	R754-141	Hexagon socket screw	M 6 x 20		AISI 316
47	2	9B4722	R758-088	Lock washer	(M 6)		AISI 316
48	2	9B3803	R755-077	Nut	M 6		AISI 316
56	1	77256Z	R713-259-RZ	Data plate	Blanco 87x45x1		
58	1	9D1273	R751-002	O-ring	39.69x 3.53		NBR
61	2	706247	R760-147	Gasket	Ø170xØ110x0.5		Klingerseal
66	1	9B1850	R752-006	Circlip	A 50x2		spring steel
67	1	9B1850	R752-006	Circlip	A 50x2		spring steel
68	1	9B1870	R752-033	Circlip	J110x4		spring steel
74	8	9B4454	R754-164	Hexagon socket screw	M12x 40		AISI 316
76	4	9B4451	R754-183	Hexagon socket screw	M12x 25		AISI 316
77	4	9B4451	R754-183	Hexagon socket screw	M12x 25		AISI 316
78	4	9B4451	R754-183	Hexagon socket screw	M12x 25		AISI 316
82	1	9B2332	R756-012	Key	12x 8x50		AISI 316
83	1	9B2318	R756-106	Key	10x 8x50		AISI 316
87	4	9B4202	R757-076	Data plate rivet	2.9x6.5		AISI 316
101	1	706254	R701-075-GG	Volute	BW3000 NW100	P4003	EN-GJL-250
112	1	9B5310	R709-325	Plug	G 3/8"		CuZn 40
113	1	9B5309	R756-107	Plug	G 1/2"		CuZn 40
114	1	706231	R713-175	Seal ring	A 17x23x1.5 plug G3/8"		Cu
115	1	706230	R713-034	Seal ring	A 21x26x1.5 plug G1/2"		Cu
118	1	9D1324	R751-159	O-ring	239.3x 5.7		

Pos	Qty	Part nr	Robot nr	Description		Pattern	Material
118	(1)	9D1368	R751-176	O-ring	249.3x 5.7		NBR
124	4	9B3719	R753-210	Stud bolt	M12 x 60		AISI 316
130	4	9B3806	R755-091	Nut	M12		AISI 316
133	4	9B3906	R758-102	Washer	(M12)		AISI 316
140	1	W06264	R708-057-GG	Impeller	RW6030/BW3000 Ø35	P4014	EN-GJL-250
	(1)		R708-057-GG-2	Impeller	248 RW6030/BW300 Ø35		
	(1)		R708-057-GG-2	Impeller	232 RW6030/BW3000 Ø35		
	(1)		R708-057-GG-2	Impeller	216 RW6030/BW3000 Ø35		
	(1)		R708-057-GG-2	Impeller	200 RW6030/BW3000 Ø35		
	(1)		R708-057-GG-1	Impeller	184 RW6030/BW3000 Ø35		
	(1)		R708-057-GG-1	Impeller	168 RW6030/BW3000 Ø35		
141	1	706214	R708-073-RZ	Impeller hubcap	Ø39,7x14x22		AISI 316
145	1	9B4452 repl	R754-099	Hexagon socket screw	M12x 30		
149	1	9B4725	R758-074	Lock washer	(M12)		
Supplement support vertical installation							
230	1	76510S	R710-097-ST	Volute support	BTP42 -V (h=110) BWP60-30V BWP60-50V		S235JR
232	6	9B4452	R754-152	Hexagon socket screw	M12x 30		AISI 316
Supplement support, coupling and motors IEC132							
302	1	706316	R700-091-GG	Support	IEC132, -V	P4027	EN-GJL-250
304	1	9T0705	R710-368	Coupling	J-Flex Swift Spider 110-IEC132 Ø 42/38		
310	4	9B3906	R758-102	Washer	(M12)		AISI 316
311	4	9B4453	R754-182	Hexagon socket screw	M12x 35		AISI 316
313	4	9B3715	R753-222	Stud bolt	M12 x 30		AISI 316
314	4	9B3806	R755-091	Nut	M12		AISI 316
330	2	706278	R710-494-ST	Protecting shield	BW, BT VK8/St10		Fe galv.
331	4	9B4420	R754-184	Hexagon socket screw	M 6 x 12		AISI 316
400	(1)	IEC132S 5.5-4B5	R790-017	Motor	IEC132S 5.5 kW-4 Flens B5		
	(1)	IEC132M 7.5-4B5	R790-018	Motor	IEC132M 7.5 kW-4 Flens B5		
	(1)	IEC132M 4.0-6B5	R790-104	Motor	IEC132M 4 kW-6 Flens B5		
Supplement supplement adapter, coupling and motors IEC160/180							
302	1	76346G	R700-092-GG	Support	IEC160/180, -V opst	P4026	EN-GJL-250
304	(1)	9T0711	R710-322	Coupling	J-Flex Swift Spider 150- IEC160M Ø 42/42		
	(1)	9T0712	R710-323	Coupling	J-Flex Swift Spider 190- IEC160L Ø 42/42		
	(1)	9T0713	R710-324	Coupling	J-Flex Swift Spider 225- IEC180M+L Ø 42/48		toekomstig
310	4	9B3907	R758-103	Washer	(M16)		AISI 316
311	4	9B4453	R754-182	Hexagon socket screw	M12x 35		AISI 316
313	4	9B3735	R753-144	Stud bolt	M16x 40		AISI 316
314	4	9B3807	R755-093	Nut	M16		AISI 316
330	2	706278	R710-494-ST	Protecting shield	BW, BT VK8/St10		Fe galv.
331	4	9B4420	R754-184	Hexagon socket screw	M 6 x 12		AISI 316
400	(1)	IEC160M 11.0-4B5	R790-032	Motor	IEC160M 11kW-4 Flens B5		
	(1)	IEC160L 15.0-4B5	R790-033	Motor	IEC160L 15 kW-4 Flens B5		

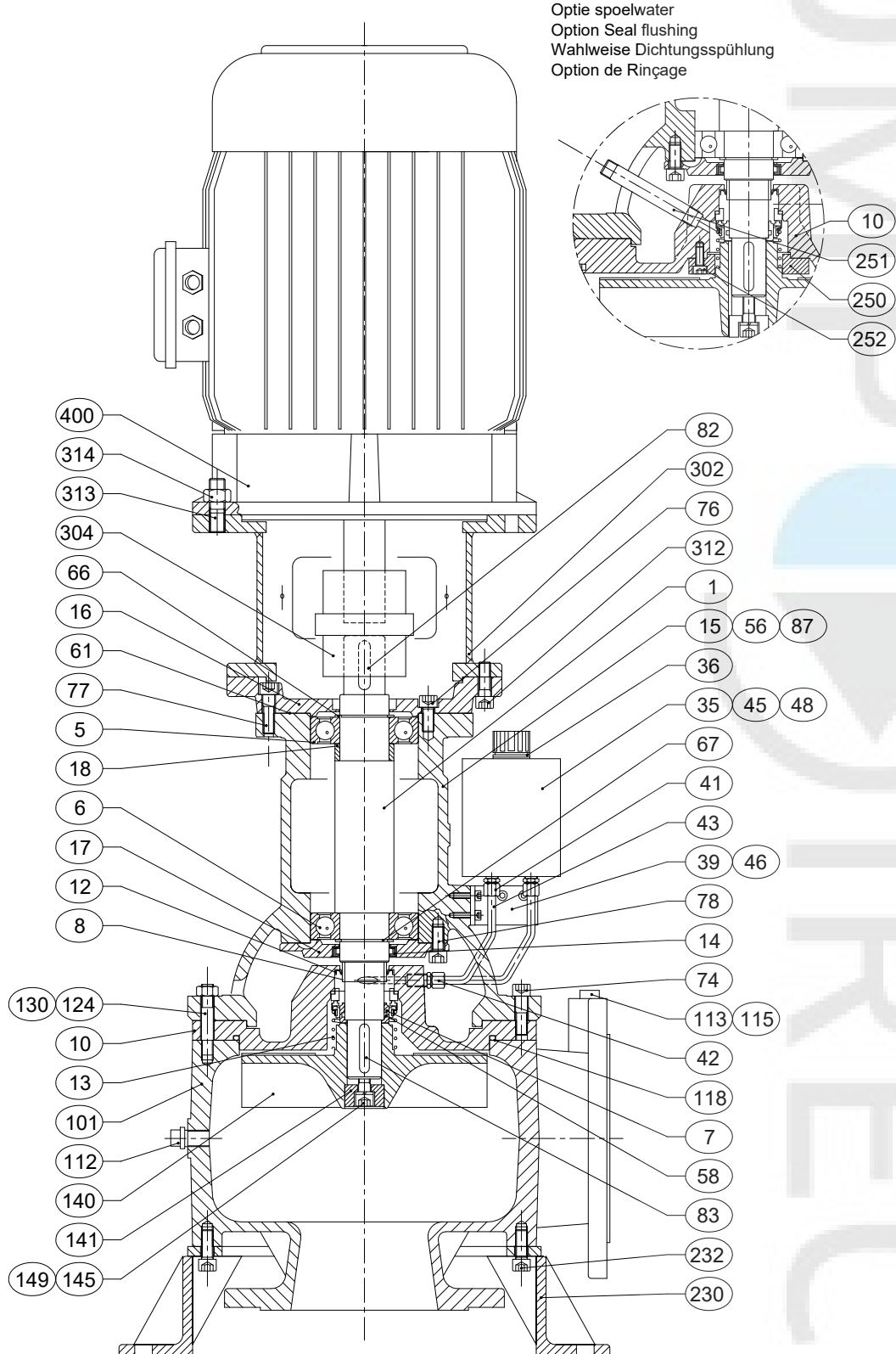
Pos	Qty	Part nr	Robot nr	Description	Pattern	Material
400	(1)	IEC160L 11.0-6B5	R790-074	Motor	IEC160L 11 kW-6 Flens B5	
Supplement supplement adapter, coupling and motors IEC200						
124	4		R753-161	Stud bolt	M12x 80 spec.	
302	1		R700-208-ST	Support	IEC 200	
304	1	9T0715	R710-343	Coupling	J-Flex Swift Spider 225- IEC200L-2/4P Ø 42/55	
310	4	9B3907 repl	R758-084	Washer	(M16)	
311	4		R754-195	Hexagon socket screw	M20x 35	
313	4	9B3735 repl	R753-246	Stud bolt	M16 x 35	
314	4	9B3807 repl	R755-086	Nut	M16	
316	4		R717-130	Distance tube	Ø 20x Ø 13 l=18mm	
330	4	706278	R710-494-ST	Protecting shield	BW, BT VK8/St10	Fe galv.
331	16	9B4420 repl	R754-026	Hexagon socket screw	M 6 x 12	
400	(1)		R790-082	Motor	IEC200L 30kW-2 Flens V1	
Supplement supplement adapter, coupling and motors IEC225						
124	4		R753-161	Stud bolt	M12x 80 spec.	
302	1		R700-209-ST	Support	IEC 225 BW/BD	
304	1		R710-457	Coupling	IEC225-2P Ø 42/55	
310	4	9B3907 repl	R758-084	Washer	(M16)	
311	4	9B4491	R754-095	Hexagon socket screw	M20x 40	AISI 316
313	4	9B3735 repl	R753-246	Stud bolt	M16 x 35	
314	4	9B3807 repl	R755-086	Nut	M16	
316	4		R717-130	Distance tube	Ø 20x Ø 13 l=18mm	
330	4	706278	R710-494-ST	Protecting shield	BW, BT VK8/St10	Fe galv.
331	16	9B4420 repl	R754-026	Hexagon socket screw	M 6 x 12	
400	(1)		R790-083	Motor	IEC225M 45 kW-2 Flens V1	
Supplement supplement adapter, coupling and motors IEC250						
124	4		R753-161	Stud bolt	M12x 80 spec.	
230	1		R715-116-ST	Support ring	Ø450 BW3000-VBX	
302	1		R700-207-ST	Support	IEC 250	
304	1		R710-456	Coupling	IEC250-2P Ø 42/60	
310	8	9B3907 repl	R758-084	Washer	(M16)	
311	4	9B4491	R754-095	Hexagon socket screw	M20x 40	AISI 316
313	4		R753-247-2	Thread end	M16 l=120mm	
	4	9B3735	R753-144	Stud bolt	M16x 40	AISI 316
314	8	9B3807 repl	R755-086	Nut	M16	
316	4		R717-130	Distance tube	Ø 20x Ø 13 l=18mm	
330	4	706278	R710-494-ST	Protecting shield	BW, BT VK8/St10	Fe galv.
331	16	9B4420 repl	R754-026	Hexagon socket screw	M 6 x 12	
400	(1)		R790-078	Motor	IEC250M 55 kW-2 Flens V1	
Option: seal flushing						
250	1	706209	R711-165-GG	Baffle plate	BW3/4/5/6000	P4005 EN-GJL-250
251	1	706232	R716-029	Pipe nipple	R3/8 x 150	AISI 316

Pos	Qty	Part nr	Robot nr	Description		Pattern	Material
252	3	9B4430	R754-165	Hexagon socket screw	M 8x 20		AISI 316
Option: seal flushing IEC200/280							
10	1	706296	R704-178-GG-F	Seal housing	BW3/5000 spoelw/flushing	P4004	EN-GJL-250
250	1	706209	R711-165-GG	Baffle plate	BW3/4/5/6000	P4005	EN-GJL-250
251	1	9M5530	R716-031	Pipe	Ø8 L=100mm		Cu
252	3	9B4430	R754-165	Hexagon socket screw	M 8x 20		AISI 316
253	1	9F0353	R716-093	Reducer	R3/8"-R1/4" bu/bi		Fe galv.
254	2	706233	R716-043	Coupling	RIK 8x1/4"		CuZn 40
255	1	9F2502	R716-092	Socket	R1/4"		Fe galv.

BW3000-V(M)
BW5000-V(M)

Dwg : 068 N2
Date : 08-1997
Page : 1/2
By : PZ
Repl. : .

IEC160/180



BW3000-V(M)
BW5000-V(M)

 **ROBOT PUMPS**
 By Pompdirect

Dwg : 068 N2
 Date : 08-1997
 Page : 2/2
 By : PZ
 Repl. : .

IEC200/225/250

Optie spoelwater
 Option Seal flushing
 Wahlweise Dichtungsspülung
 Option de Rinçage

