

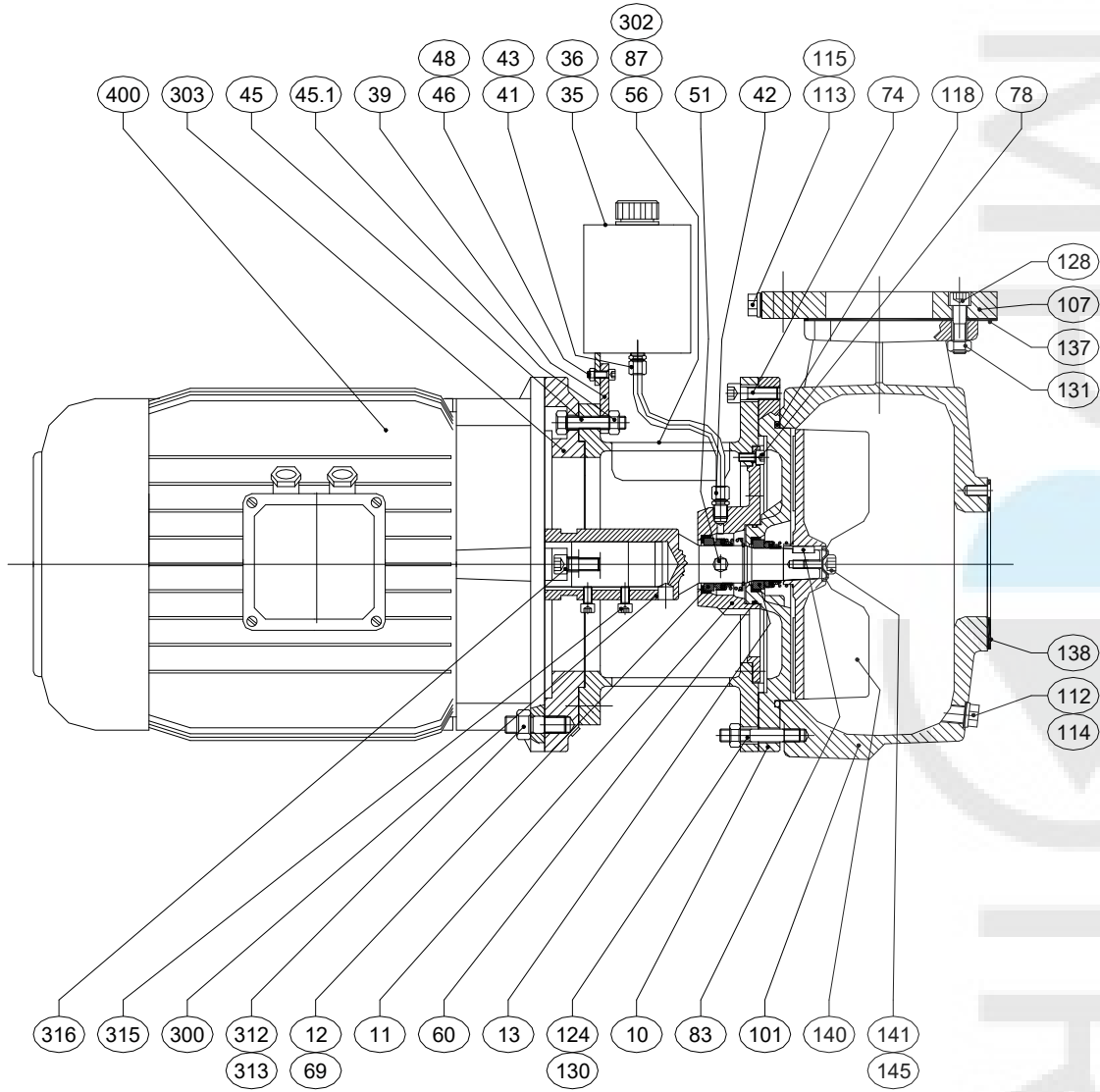
Basic version

Pos	Qty	Part nr	Robot nr	Description		Pattern	Material
10	1	706256	R704-188-GG	Seal housing	BW/BD40 BWP/BNP42	P4011	EN-GJL-250
11	1	76132G	R704-202-GG	Seal housing	BW40/BD40 BWP/BNP42 -2	P4025	EN-GJL-250
12	1	9D2266	R706-314	Mechanical seal	Ø35 NBR/ceramic/SiC/1.457		Carb/ceramic/NB
13	1	9D2267	R706-318	Mechanical seal	Ø30 NBR / SiC / 1.4571		SiC/SiC/NBR
35	1	706234	R716-071-RV	Oil tank			AISI 304
36	1	706210	R716-086	Filling plug			
39	(1)	706288	R716-066	Support	BW HS		S235JR
	(1)	706289	R716-067-ST	Support	BW-VS		S235JR
41	2	706233	R716-043	Coupling	RIK 8x1/4"		CuZn 40
42	2	706233	R716-043	Coupling	RIK 8x1/4"		CuZn 40
43	2	9M5530	R716-031	Pipe	Ø8 L=100mm		Cu
45.1	(1)	9B4451 repl	R754-112	Hexagon socket screw	M12x 25		
45.2	(1)	9B3057	R753-152	Hexagon-head bolt	M12x 50		AISI 316
45.3	(1)	9B3806 repl	R755-083	Nut	M12		
46	2	9B4423 repl	R754-082	Hexagon socket screw	M 6 x 20		
47	2	9B4722 repl	R758-079	Lock washer	(M 6)		
48	2	9B3803 repl	R755-032	Nut	M 6		
49	1	706280	R716-091	Pipe nipple	R1/4"x100		Fe galv.
50	1	9F2502	R716-092	Socket	R1/4"		Fe galv.
51	1	9B5420	R756-139	Plug	R 1/4"		AISI 316
56	1	706200	R713-177-RZ	Data plate	BW/BT/BD BWP/BNP		AISI 316
60	1	9D1320	R751-207	O-ring	66x 3.00		NBR
69	1	9B1835	R752-004	Circlip	A 35x1.5		spring steel
74	8	9B4453 repl	R754-080	Hexagon socket screw	M12x 35		
78	4	9B0523	R754-028	Hexagon socket screw	M 8x 16		AISI 316
83	1	9B2305	R756-101	Key	6 x 6x20		AISI 316
87	4	9B4202	R757-076	Data plate rivet	2.9x6.5		AISI 316
101	1	706268	R701-213-GG	Volute	RW4030-A BW20/4030	P4015	EN-GJL-250
107	1	706279	R712-161-ST	Reducer flange	R100-NW100		S235JR
	(1)		R712-214-ST	Reducer flange	R100-4" ANSI 150		
112	1	9B5310	R709-325	Plug	G 3/8"		CuZn 40
113	1	9B5310	R709-325	Plug	G 3/8"		CuZn 40
114	1	706231	R713-175	Seal ring	A 17x23x1.5 plug G3/8"		Cu
115	1	706231	R713-175	Seal ring	A 17x23x1.5 plug G3/8"		Cu
118	1	9D1368	R751-176	O-ring	249.3x 5.7		NBR
124	4	9B3719	R753-210	Stud bolt	M12 x 60		AISI 316
128	4	9B4456	R754-113	Hexagon socket screw	M12x 50		AISI 316
130	4	9B3806	R755-091	Nut	M12		AISI 316
131	4	9B3806	R755-091	Nut	M12		AISI 316
133	4	9B3906	R758-102	Washer	(M12)		AISI 316
134	4	9B3906	R758-102	Washer	(M12)		AISI 316
137	1	706282	R761-002	Gasket	140xØ105x2		CR

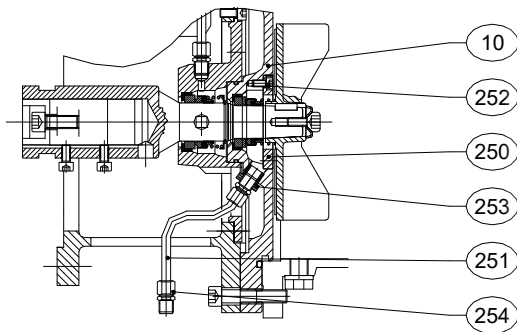
Pos	Qty	Part nr	Robot nr	Description		Pattern	Material
138	1	706281	R760-138	Gasket	Ø158xØ100x3		CR
140	1	W06272	R708-360-NG	Impeller	RW4030/BW20/4030 con30	P4017	EN-GJS-400-15
	(1)		R708-360-NG-2	Impeller	252 RW4030/BW20 con30		
	(1)		R708-360-NG-2	Impeller	245 RW4030/BW20 con30		
	(1)		R708-360-NG-2	Impeller	235 RW4030/BW20 con30		
	(1)		R708-360-NG-2	Impeller	232 RW4030/BW20 con30		
	(1)		R708-360-NG-2	Impeller	230 RW4030/BW20 con30		
	(1)		R708-360-NG-2	Impeller	225 RW4030/BW20 con30		
	(1)		R708-360-NG-2	Impeller	215 RW4030/BW20 con30		
	(1)		R708-360-NG-2	Impeller	205 RW4030/BW20 con30		
	(1)		R708-360-NG-2	Impeller	200 RW4030/BW20 con30		
	(1)		R708-360-NG-1	Impeller	190 RW4030/BW20 con30		
	(1)		R708-360-NG-1	Impeller	175 RW4030/BW20 con30		
	(1)		R708-360-NG-1	Impeller	170 RW4030/BW20 con30		
	(1)		R708-360-NG-1	Impeller	150 RW4030/BW20 con30		
141	1	706261	R713-226-RU	Impeller hubcap	ø30xø9x4		AISI 329
145	1	706292	R754-117	Hex. sock. screw counter sunk.	M 8x 20		AISI 316
<b>Supplement support, shaft and motor IEC132</b>							
300	1	76288V	R703-406-RM	Pump shaft extension	IEC132 BW40-S con30/Ø38		AISI 304
302	1	706315	R700-215-GG	Support	IEC 132 BW40-S	P4026	EN-GJL-250
310	4	9B3906	R758-102	Washer	(M12)		AISI 316
313	4	9B3716	R753-158	Stud bolt	M12 x 35		AISI 316
314	4	9B3806	R755-091	Nut	M12		AISI 316
315	1	9B4428	R754-197	Hexagon socket screw	M 8x 12		AISI 316
330	2	706278	R710-494-ST	Protecting shield	BW, BT VK8/St10		Fe galv.
331	4	9B4420	R754-184	Hexagon socket screw	M 6 x 12		AISI 316
400	(1)	IEC132S 5.5-4B5	R790-030	Motor	IEC132S 5.5 kW-4 Flens B5		
	(1)	IEC132M 7.5-4B5	R790-031	Motor	IEC132M 7.5 kW-4 Flens B5		
	(1)	IEC132S 5.5-4B5	R790-017	Motor	IEC132S 5.5 kW-4 Flens B5		
	(1)	IEC132M 7.5-4B5	R790-018	Motor	IEC132M 7.5 kW-4 Flens B5		
<b>Supplement support, coupling and motors IEC160</b>							
300	1	76096V	R703-355-RM	Pump shaft extension	IEC160 con30/Ø42		AISI 304
302	1	706315	R700-215-GG	Support	IEC 132 BW40-S	P4026	EN-GJL-250
303	1	706313	R700-194-GG	Reducer flange	IEC 160/180	P4024	EN-GJL-250
310	4	9B3907	R758-103	Washer	(M16)		AISI 316
313	4	9B3716	R753-158	Stud bolt	M12 x 35		AISI 316
314	4	9B3807	R755-093	Nut	M16		AISI 316
315	2	9B4428	R754-197	Hexagon socket screw	M 8x 12		AISI 316
316.1	(2)	9B4451	R754-183	Hexagon socket screw	M12x 25		AISI 316
316.2	(3)	9B4451	R754-183	Hexagon socket screw	M12x 25		AISI 316
330	2	706278	R710-494-ST	Protecting shield	BW, BT VK8/St10		Fe galv.
331	4	9B4420	R754-184	Hexagon socket screw	M 6 x 12		AISI 316
400	(1)	IEC160M 11.0-4B5	R790-032	Motor	IEC160M 11kW-4 Flens B5		
	(1)	IEC160L 15.0-4B5	R790-033	Motor	IEC160L 15 kW-4 Flens B5		
	(1)	IEC160M 11-4V1	R790-019	Motor	IEC160M 11 kW-4 Flens V1		

Pos	Qty	Part nr	Robot nr	Description		Pattern	Material
400	(1)	IEC160L 15-4V1	R790-020	Motor	IEC160L 15 kW-4 Flens V1		
<b>Supplement support hor. installation IEC132</b>							
230	1	706276	R710-398-ST	Volute support	H BW NW100 hh225		S235JR
231	1	706224	R710-402-ST	Volute support	-2 BW BWP		S235JR
232	6	9B4441	R754-153	Hexagon socket screw	M10x 25		AISI 316
233	2	9B4462	R754-215	Hexagon socket screw	M16x 30		AISI 316
234	2	9B3907	R758-103	Washer	(M16)		AISI 316
235	2	9B3807	R755-093	Nut	M16		AISI 316
240	1	706275	R710-385-ST	Support	IEC132/160/180 hh225		S235JR
242	3	9B4451	R754-183	Hexagon socket screw	M12x 25		AISI 316
<b>Supplement: Support hor. installation IEC160/180</b>							
230	1	706276	R710-398-ST	Volute support	H BW NW100 hh225		S235JR
231	1	706224	R710-402-ST	Volute support	-2 BW BWP		S235JR
232	6	9B4441	R754-153	Hexagon socket screw	M10x 25		AISI 316
233	2	9B4462	R754-215	Hexagon socket screw	M16x 30		AISI 316
234	2	9B3907	R758-103	Washer	(M16)		AISI 316
235	2	9B3807	R755-093	Nut	M16		AISI 316
240	1	706275	R710-385-ST	Support	IEC132/160/180 hh225		S235JR
242	2	9B4451	R754-183	Hexagon socket screw	M12x 25		AISI 316
304	1	9B3057	R753-152	Hexagon-head bolt	M12x 50		AISI 316
305	1	9B3806	R755-091	Nut	M12		AISI 316
<b>Supplement support vertical installation</b>							
230	1	706287	R715-092-ST	Support	V NW100		S235JR
	(1)		R715-105-ST	Support	V 4" ANSI 150 USA ANSI 150		
	(1)	76562S	R712-261-ST	Suction flange	NW100-BWP22-30VS		S235JR
232	6	9B4441	R754-153	Hexagon socket screw	M10x 25		AISI 316
<b>Option: seal flushing</b>							
10	1	76238G	R704-188-GG-F	Seal housing	BW/BD40 spoelw/flush	P4011	EN-GJL-250
250	1	76239Z	R711-175-RZ	Baffle plate	BW40/BT20/4040		AISI 316
251	1	9M5530	R716-031	Pipe	Ø8 L=100mm		Cu
252	3	9B4420	R754-184	Hexagon socket screw	M 6 x 12		AISI 316
253	1	9F0353	R716-093	Reducer	R3/8"-R1/4" bu/bi		Fe galv.
254	2	706233	R716-043	Coupling	RIK 8x1/4"		CuZn 40
255	1	9F2502	R716-092	Socket	R1/4"		Fe galv.
<b>Option Sparepart kit</b>							
600	1	77885E	R506-6000	Spare part kit	BW20-H/V/K		

**BW4030-S**  
**BW4040-S**



**Spoelwateraansluiting**  
**Seal flushing**



**BW4030-S**  
**BW4040-S**

