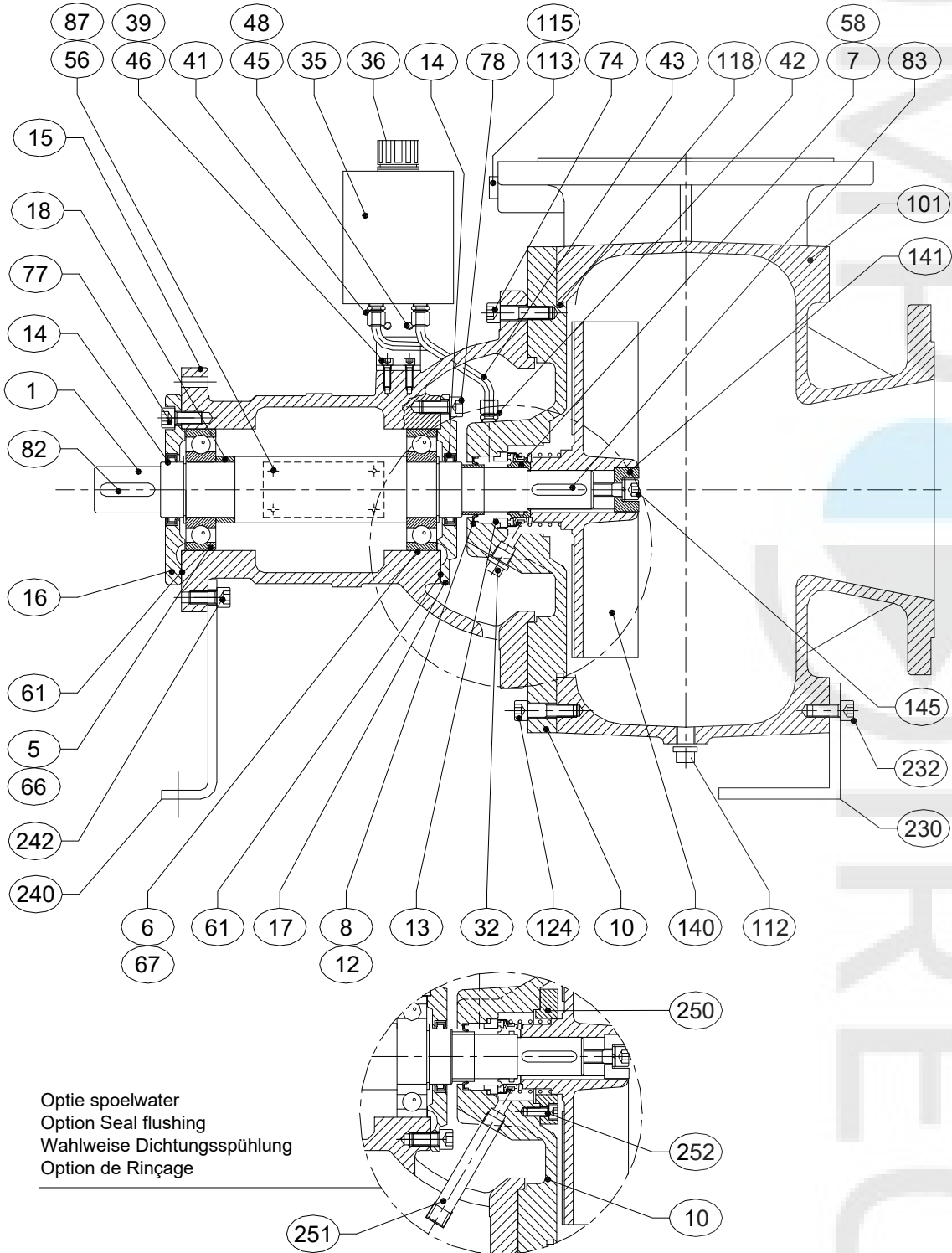


Basic version

| Pos | Qty | Part nr | Robot nr | Description | | Pattern | Material |
|------|-----|---------|-------------|---------------------------|------------------------|---------|--------------|
| 1 | 1 | 706211 | R703-117-RM | Pump shaft | Ø35/42 | | AISI 431 |
| 5 | 1 | 9L0390 | R750-057 | Ball bearing | 6310-2Z | | |
| | (1) | 9L1110 | R750-101 | Ang. contact ball bearing | 3310-2Z IEC200/225 | | |
| 6 | 1 | 9L0390 | R750-057 | Ball bearing | 6310-2Z | | |
| 7 | 1 | 706212 | R706-084-RD | Seal sleeve | Ø40/Ø50 | | AISI 303 |
| 8 | 1 | 9L6430 | R706-216 | Seal sleeve | IR40x45x20 | | |
| 10 | 1 | 706204 | R704-205-GG | Seal housing | BW6000-H/V | P4008 | EN-GJL-250 |
| 10.1 | (3) | 9B3631 | R756-121 | Grub screw | M 8x 16 bzk | | AISI 316 |
| 12 | 1 | 9D1130 | R706-215 | Lip seal | BA 45x60x7 | | |
| 13 | 1 | 9D2265 | R706-277 | Mechanical seal | Ø50 primair | | SiC/SiC/NBR |
| 14 | 2 | 9D1131 | R706-334 | Lip seal | OBC 050.065.10-11 | | |
| 15 | 1 | 706213 | R707-189-GG | Bearing housing | Ø110 IEC132/180 | P4016 | EN-GJL-250 |
| 16 | 1 | 706206 | R707-209-GG | Bearing housing cover | IEC132/180 | P4001 | EN-GJL-250 |
| 17 | 1 | 706205 | R707-198-GG | Bearing housing cover | | P4001 | EN-GJL-250 |
| 18 | 1 | 706246 | R707-084-ST | Distance ring | IEC100-180 | | S235JR |
| 32 | (1) | 9B1720 | R709-127 | Plug | G 3/8" Nr. 290 | | Fe galv. |
| 35 | 1 | 706234 | R716-071-RV | Oil tank | | | AISI 304 |
| 36 | 1 | 706210 | R716-086 | Filling plug | | | |
| | 1 | 9B5320 | R756-137 | Plug | G 1" | | PA 66 |
| 39 | 1 | 706235 | R716-072 | Bracket | -H | | S235JR |
| 41 | 2 | 706233 | R716-043 | Coupling | RIK 8x1/4" | | CuZn 40 |
| 42 | 2 | 706233 | R716-043 | Coupling | RIK 8x1/4" | | CuZn 40 |
| 43 | 2 | 9M5530 | R716-031 | Pipe | Ø8 L=100mm | | Cu |
| 45 | 2 | 9B4423 | R754-141 | Hexagon socket screw | M 6 x 20 | | AISI 316 |
| 46 | 2 | 9B4423 | R754-141 | Hexagon socket screw | M 6 x 20 | | AISI 316 |
| 47 | 2 | 9B4722 | R758-088 | Lock washer | (M 6) | | AISI 316 |
| 48 | 2 | 9B3803 | R755-077 | Nut | M 6 | | AISI 316 |
| 56 | 1 | 77256Z | R713-259-RZ | Data plate | Blanco 87x45x1 | | |
| 58 | 1 | 9D1273 | R751-002 | O-ring | 39.69x 3.53 | | NBR |
| 61 | 2 | 706247 | R760-147 | Gasket | Ø170xØ110x0.5 | | Klingerseal |
| 66 | 1 | 9B1850 | R752-006 | Circlip | A 50x2 | | spring steel |
| 67 | 1 | 9B1850 | R752-006 | Circlip | A 50x2 | | spring steel |
| 68 | 1 | 9B1870 | R752-033 | Circlip | J110x4 | | spring steel |
| 74 | 8 | 9B4454 | R754-164 | Hexagon socket screw | M12x 40 | | AISI 316 |
| 77 | 4 | 9B4451 | R754-183 | Hexagon socket screw | M12x 25 | | AISI 316 |
| 78 | 4 | 9B4451 | R754-183 | Hexagon socket screw | M12x 25 | | AISI 316 |
| 82 | 1 | 9B2332 | R756-012 | Key | 12x 8x50 | | AISI 316 |
| 83 | 1 | 9B2318 | R756-106 | Key | 10x 8x50 | | AISI 316 |
| 87 | 4 | 9B4202 | R757-076 | Data plate rivet | 2.9x6.5 | | AISI 316 |
| 96 | 1 | 9S0033 | R906-069 | Oil | Shell Tellus 32 2 ltr | | |
| 101 | 1 | 706202 | R701-092-GG | Volute | BW/BWV6000 NW200 | P4007 | EN-GJL-250 |
| | (1) | | R701-244-GG | Volute | BW6000, 8"ANSI 150 | | |
| 112 | 1 | 9B5310 | R709-325 | Plug | G 3/8" | | CuZn 40 |
| 113 | 1 | 9B5309 | R756-107 | Plug | G 1/2" | | CuZn 40 |
| 114 | 1 | 706231 | R713-175 | Seal ring | A 17x23x1.5 plug G3/8" | | Cu |

| Pos | Qty | Part nr | Robot nr | Description | | Pattern | Material |
|---|-----|---------------------|---------------|-------------------------|--|---------|---------------|
| 115 | 1 | 706230 | R713-034 | Seal ring | A 21x26x1.5 plug G1/2" | | Cu |
| 118 | 1 | 9D1382 | R751-209 | O-ring | 319.3x 5.7 BW6000 | | NBR |
| 124 | 7 | 9B4455 | R754-170 | Hexagon socket screw | M12x 45 | | AISI 316 |
| 140 | 1 | W06207 | R708-311-NG | Impeller | RW6062/HW6000 Ø35 | P4006 | EN-GJS-400-15 |
| | (1) | | R708-311-NG-3 | Impeller | 305 RW6062 Ø35 | | |
| | (1) | | R708-311-NG-2 | Impeller | 290 RW6062 Ø35 | | |
| | (1) | | R708-311-NG-2 | Impeller | 280 RW6062 Ø35 | | |
| | (1) | | R708-311-NG-2 | Impeller | 270 RW6062 Ø35 | | |
| | (1) | | R708-311-NG-2 | Impeller | 260 RW6062 Ø35 | | |
| | (1) | | R708-311-NG-2 | Impeller | 250 RW6062 Ø35 | | |
| | (1) | | R708-311-NG-2 | Impeller | 230 RW6062 Ø35 | | |
| 141 | 1 | 706214 | R708-073-RZ | Impeller hubcap | Ø39,7x14x22 | | AISI 316 |
| 145 | 1 | 9B4455 repl | R754-135 | Hexagon socket screw | M12x 45 BW6000 | | |
| 149 | 1 | 9B4725 | R758-074 | Lock washer | (M12) | | |
| Supplement support horizontal installation | | | | | | | |
| 230 | 1 | 706217 | R710-272-ST | Volute support | H BW6000 BWP60-60 (GP) hh280 | | S235JR |
| 231 | 1 | 706228 | R710-446-ST | Volute support | -2 BW/ BWP | | S235JR |
| 232 | 4 | 9B4451 | R754-183 | Hexagon socket screw | M12x 25 | | AISI 316 |
| 233 | 4 | 9B4462 | R754-215 | Hexagon socket screw | M16x 30 | | AISI 316 |
| 234 | 4 | 9B3907 | R758-103 | Washer | (M16) | | AISI 316 |
| 235 | 4 | 9B3807 | R755-093 | Nut | M16 | | AISI 316 |
| 240 | 1 | 706225 | R710-407-ST | Bearing housing support | 40 hh280 | | S235JR |
| | (1) | 706226 | R710-411-ST | Bearing housing support | 40/60/62 (GP) hh280 | | S235JR |
| 242 | 2 | 9B4451 | R754-183 | Hexagon socket screw | M12x 25 | | AISI 316 |
| Supplement Found. plate, coupling and motor IEC160/180 | | | | | | | |
| 304 | (1) | 9T0703 | R710-336 | Coupling | J-Flex Spacer 150-IEC160M Ø 42/42 | | |
| | (1) | 9T0700 | R710-337 | Coupling | J-Flex Spacer 190-IEC160L Ø 42/42 | | |
| | (1) | 9T0707 | R710-338 | Coupling | J-Flex Spacer 225-IEC180M+L Ø 42/48 | | |
| 305 | 1 | 706293 | R710-281-ST | Foundation plate | 1400x625x110 | | S235JR |
| 309 | 1 | 706295 | R710-436-ST | Protecting hood | BW40/60/ BT40/60 L=355 IEC160/200 | | S235JR |
| 310 | 8 | 9B3906 | R758-102 | Washer | (M12) | | AISI 316 |
| 312 | 4 | 9B3057 | R753-152 | Hexagon-head bolt | M12x 50 | | AISI 316 |
| 313 | 4 | 9B3806 | R755-091 | Nut | M12 | | AISI 316 |
| 314 | 1 | 9B4496 | R754-199 | Hexagon socket screw | M12x 60 | | AISI 316 |
| 400 | (1) | IEC160M 7.5-6B3 | R790-048 | Motor | IEC160M 7.5kW-6 voet B3 | | |
| | (1) | IEC160M 11.0-4B3 | R790-006 | Motor | IEC160M 11 kW-4 voet B3 | | |
| | (1) | IEC160L 15.0-4B3 | R790-007 | Motor | IEC160L 15 kW-4 voet B3 | | |
| | (1) | IEC160M 18.5-4B3 | R790-041 | Motor | IEC180M 18.5kW-4 voet B3 | | |
| | (1) | IEC160M 22-4B3 | R790-042 | Motor | IEC180L 22kW-4 voet B3 | | |
| 401 | (2) | 76347S | R710-288-ST | Motor support | IEC160 hh280 | | S235JR |
| 401 | (2) | 76348S | R710-291-ST | Motor support | IEC180 hh280 | | S235JR |

| Pos | Qty | Part nr | Robot nr | Description | Pattern | Material |
|---|-----|---------------------|-------------|----------------------|--|------------------|
| Supplement Found. plate, coupling and motor IEC200 | | | | | | |
| 304 | 1 | 9T0701 | R710-345 | Coupling | J-Flex Spacer 225-IEC200/225-2 Ø 55/42 | |
| | (1) | 9T0709 | R710-445 | Coupling | J-Flex225-IEC225-4/6/IEC250-2 Ø 60/42 | |
| 305 | 1 | 706323 | R710-282-ST | Foundation plate | 1600x675x110 | S235JR |
| 309 | 1 | 706295 | R710-436-ST | Protecting hood | BW40/60/ BT40/60 L=355 IEC160/200 | S235JR |
| | (1) | 76351S | R710-469-ST | Protecting hood | BW40/60/ BT40/60 IEC225/250 | S235JR |
| 310 | 8 | 9B3907 | R758-103 | Washer | (M16) | AISI 316 |
| 312 | 4 | 9B3130 | R753-230 | Hexagon-head bolt | M16x 65 | AISI 316 |
| 313 | 4 | 9B3807 | R755-093 | Nut | M16 | AISI 316 |
| 314 | 1 | 9B4496 | R754-199 | Hexagon socket screw | M12x 60 | AISI 316 |
| 400 | (1) | IEC200L 18.5-6B3 | R790-080 | Motor | IEC200L 18.5 kW-6 voet B3 | |
| | (1) | IEC200L 30-4B3 | R790-061 | Motor | IEC200L 30kW-4 voet B3 | |
| | (1) | IEC225M 45-4B3 | R790-060 | Motor | IEC225M 45 KW-4 voet B3 | |
| 401 | (2) | 77166S | R710-294-ST | Motor support | IEC200 hh280 | S235JR |
| Option: seal flushing | | | | | | |
| 250 | 1 | 706209 | R711-165-GG | Baffle plate | BW3/4/5/6000 | P4005 EN-GJL-250 |
| 251 | 1 | 706232 | R716-029 | Pipe nipple | R3/8 x 150 | AISI 316 |
| 252 | 3 | 9B4430 | R754-165 | Hexagon socket screw | M 8x 20 | AISI 316 |
| Option Sparepart kit | | | | | | |
| 600 | 1 | 77886E | R506-7001 | Spare part kit | BW3/5/6000 <= IEC180 | |
| Option Sparepart kit | | | | | | |
| 600 | 1 | 77887E | R506-7002 | Spare part kit | BW3/5/6000-HV/K IEC>=200 | |



BW6000-H(M)

Dwg : 108 N3
Date : 08-1997
Page : 2/2
By : HS
Repl. : .

