

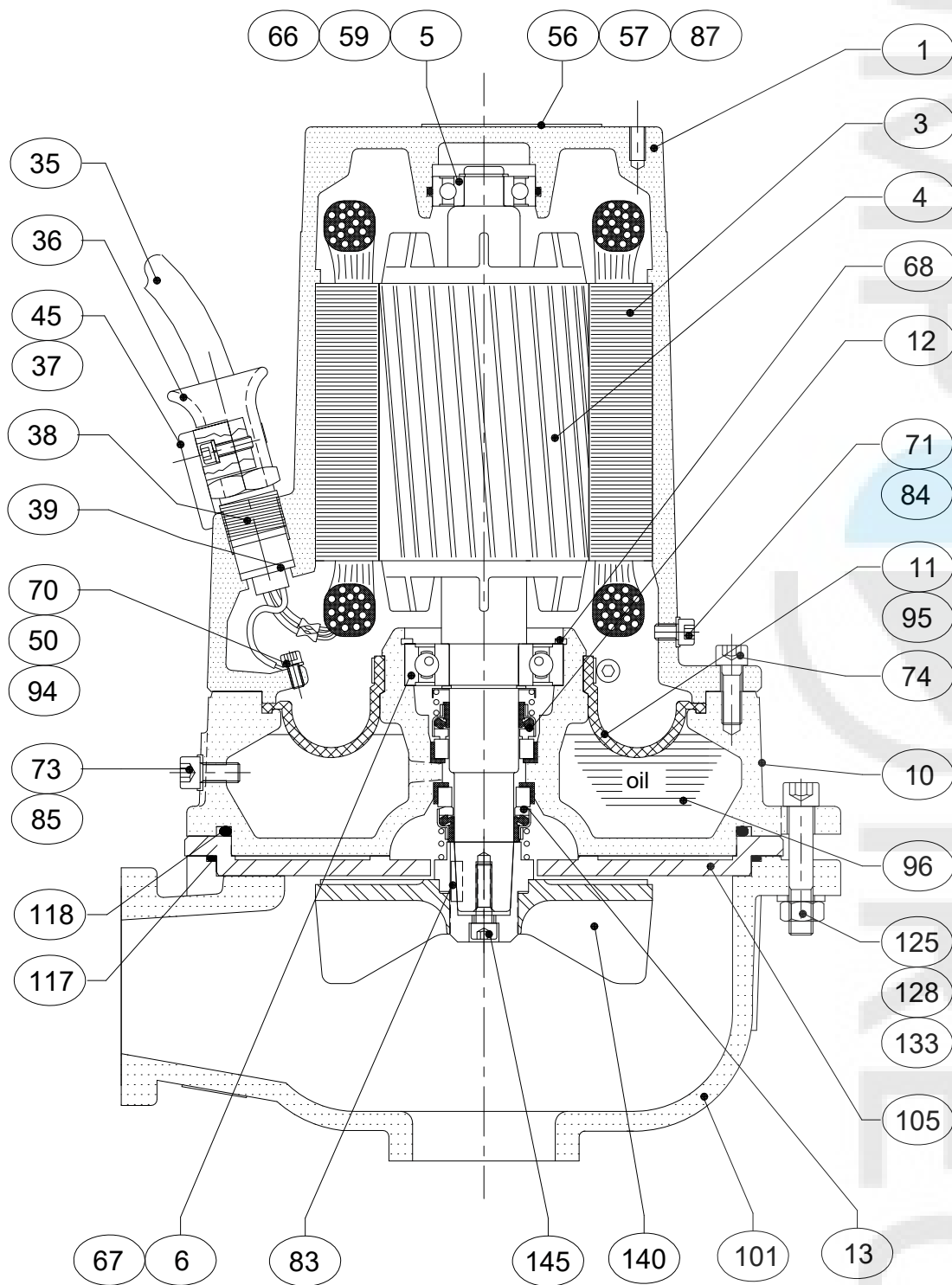
Basic version

Pos	Qty	Part nr	Robot nr	Description		Pattern	Material
1	1	76344G	R700-183-GG	Motor housing	mh200	P441G	EN-GJL-250
3	1		R702-267-YE	Stator with thermo switches	9 kW-2 400/690V-WR-50Hz		
4	1	9T509M	R703-444-RM	Rotor	9kW-2 con30		AISI 431
5	1	9L0436	R750-109	Ball bearing	6306 2RS1 /C3 GJN		
6	1	9L0437	R750-054	Ball bearing	6307-2Z-C3		
10	1		R704-140-GG	Seal housing	RW40		
11	1	76151B	R704-144-NI	Membrane	RW/RT40		NBR
12	1	9D2266	R706-314	Mechanical seal	Ø35 NBR/ceramic/SiC/1.457		Carb/ceramic/NB
13	1	9D2267	R706-318	Mechanical seal	Ø30 NBR / SiC / 1.4571		SiC/SiC/NBR
Cable list DOL 380 - 500V 50Hz							
35	1	9W2751	R709-147	Cable	4G2.5mm2 H07RN8-F Ø12.6		Lineax Plus
36	1	77001Z	R709-002-RZ	Cable entry	G 7/8"	P408Z	AISI 316
37	1	77010Z	R709-006-RZ	Clamp	Ø12-14	P413Z	AISI 316
38	1	77052C	R709-027	Cable sleeve	27.5x12x23 Ø11-13		CR
39	2	77031Z	R709-125	Pressing ring	27.5x15x3		AISI 316
45	2	9B4422	R754-085	Hexagon socket screw	M 6 x 16		AISI 316
48	3	77094Q	R759-136	Cable connector	2.5mm2		
Cable list YD 220 - 500V 50Hz							
35	1	9W2765	R709-151	Cable	7G2.5mm2 H07RN8-F Ø17,0		
36	1	77001Z	R709-002-RZ	Cable entry	G 7/8"	P408Z	AISI 316
37	1	77009Z	R709-005-RZ	Clamp	Ø18-21	P412Z	AISI 316
38	1	77058C	R709-166	Cable sleeve	27.5x18x23 Ø17-20		CR
39	2	77036Z	R709-343	Pressing ring	27.5x17.5x3		AISI 316
45	2	9B4422	R754-085	Hexagon socket screw	M 6 x 16		AISI 316
48	6	77094Q	R759-136	Cable connector	2.5mm2		
Auxiliary cable (optional)							
35	1	9W2751	R709-147	Cable	4G2.5mm2 H07RN8-F Ø12.6		Lineax Plus
36	1	77001Z	R709-002-RZ	Cable entry	G 7/8"	P408Z	AISI 316
37	1	77010Z	R709-006-RZ	Clamp	Ø12-14	P413Z	AISI 316
38	1	77053C	R709-028	Cable sleeve	27.5x14x23 Ø13-15		CR
39	2	77031Z	R709-125	Pressing ring	27.5x15x3		AISI 316
45	2	9B4422 repl	R754-093	Hexagon socket screw	M 6 x 16		
48	3	573302 repl	R759-007	Cable connector	(2.5mm2) AMP 0-0328730-0		
Entry- blind (optional)							
36	1	77000Z	R709-016-RZ	Cable entry	G 7/8" Ø 20	P407Z	AISI 316
38	1	77057C	R709-051	Cable sleeve	27.5x22		CR
39	2	77035Z	R709-323	Pressing ring	27.5x3		AISI 316
56	1	77250Z	R713-210-RZ	Data plate	Robot Pumps		AISI 316
59	1	9D1325	R751-005	O-ring	71.44x 3.53		NBR
66	1	9B1827	R752-003	Circlip	A 30x1.5		spring steel
67	1	9B1835	R752-004	Circlip	A 35x1.5		spring steel
68	1	9B2080	R752-031	Circlip	J 80x2.5		spring steel
70	1	9B3429	R757-083	Grounding screw	M 6 x 8		CuZn 40

Pos	Qty	Part nr	Robot nr	Description		Pattern	Material
71	1	9B4428 repl	R754-157	Hexagon socket screw	M 8x 12		
73	3	9B4440 repl	R754-092	Hexagon socket screw	M10x 20		
74	4	9B4442 repl	R754-079	Hexagon socket screw	M10x 30		
83	1	9B2305	R756-101	Key	6 x 6x20		AISI 316
84	1	9B5610	R756-028	Dubo ring	M 8 Type 11 14x8.3x3		PA 6.6
85	3	9B5611	R756-027	Dubo ring	M10 Type 11 17.2x10.5x4		PA 6.6
87	8	9B4202	R757-076	Data plate rivet	2.9x6.5		AISI 316
94	1	573263	R759-002	Cable lug	M 6 (2.5mm ²) 0-0034162-0		
95	1	9B6415	R906-067	Hose clamp	Ø90-110 mm b=9mm		RVS
96	1	9S0033	R906-069	Oil	Shell Tellus 32 2 ltr		
101	1	76031H	R701-221-NH	Volute	RD4021	P471H	Nihard 4
105	1	76046H	R711-169-NH	Wearing plate	RD/BD20/40 DNP/BNP22/42	P458H	Nihard 4
117	1	9D1369	R751-060	O-ring	266.29x 3.53		NBR
118	1	9D1368	R751-176	O-ring	249.3x 5.7		NBR
124	4	9B4496	R754-199	Hexagon socket screw	M12x 60		AISI 316
128	4	9B3806	R755-091	Nut	M12		AISI 316
133	4	9B3906	R758-102	Washer	(M12)		AISI 316
140	1	76056H	R708-408-NH	Impeller	170 RD4021 con30	P454H	Nihard4
145	1	9B4431	R754-155	Hexagon socket screw	M 8x 25		AISI 316
74	(2)	9B4494 repl	R754-120	Hexagon socket screw	M10x 45		
200	1		R710-433-ST	Suspension bracket	H-40 mh170/200b RD4021		
203	1	9H0421	R912-054	Shackle	10mm		AISI 316
210	1	76142G	R712-051-GG	Hose connection	3"	P517G	EN-GJL-250
	(1)	706319	R712-052-GG	Hose connection	3"-4"	P4029	EN-GJL-250
211	4	9B3110 repl	R753-166	Hexagon-head bolt	M10x 50		
213	4	9B3805 repl	R755-029	Nut	M10		
218	1	76097C	R761-001	Gasket	Ø108xØ75x2		CR
220	1	76140G	R712-129-GG	Suction elbow	3"	P514G	EN-GJL-250
221	3	9B4431	R754-155	Hexagon socket screw	M 8x 25		AISI 316
Supplement installation -V/ OWK							
200	1	76326G	R710-298-NG	Suspension bracket	V mh200b	P546N	EN-GJS-400-15
201	3	9B4431	R754-155	Hexagon socket screw	M 8x 25		AISI 316
203	1	9H0421	R912-054	Shackle	10mm		AISI 316
206	3		R758-083	Washer	(M 8)		
211	4	9B3110 repl	R753-166	Hexagon-head bolt	M10x 50		
213	4	9B3805 repl	R755-029	Nut	M10		
214	4	9B3905 repl	R758-081	Washer	(M10)		
218	1	76097C	R761-001	Gasket	Ø108xØ75x2		CR
	(1)	76097F	R761-062-VI	Gasket	108xØ75x2 DWP/DNP22/42		Viton
Supplement installation -F and -T							
124	4	9B4448 repl	R754-201	Hexagon socket screw	M10x 80		
200	1	76326G	R710-298-NG	Suspension bracket	V mh200b	P546N	EN-GJS-400-15
201	3	9B4431	R754-155	Hexagon socket screw	M 8x 25		AISI 316

Pos	Qty	Part nr	Robot nr	Description		Pattern	Material
203	1	9H0421	R912-054	Shackle	10mm		AISI 316
206	3		R758-083	Washer	(M 8)		
210	1	76084H	R712-206-NH	Hose connection	3"-90gr.	P455H	Nihard4
211	4	9B3110 repl	R753-166	Hexagon-head bolt	M10x 50		
213	4	9B3805 repl	R755-029	Nut	M10		
214	4	9B3905 repl	R758-081	Washer	(M10)		
218	1	76097C	R761-001	Gasket	Ø108xØ75x2		CR
230	1	76172T	R715-099-ST	Support ring	D40-80		Fe galv.
232	4	9B3805 repl	R755-029	Nut	M10		
Option: rotorshaft with AISI 316 shaftend							
4	1	9T509Z	R703-444-RZ	Rotor	9kW-2 con30		AISI 431/316
Optional viton seals							
11	1		R704-144-VI	Membrane	RW/RD40		
13	1	9D2269	R706-317	Mechanical seal	Ø30 Viton		SiC/SiC/FPM
84	1	77078L repl	R756-127	Seal ring	Ø14xØ8.1x2 (M 8)		
85	3	77079L	R756-128	Seal ring	Ø17xØ10.2x2 (M10)		PTFE
118	1	9D1314	R751-176-VI	O-ring	249.3x 5.7		Viton
218	1	77164F	R761-060-VI	Gasket	140xØ10x2 DWP/DNP22-30/31/40		FPM
Option: cable entry and protection sleeve (AISI 316)							
36	1	77003Z	R709-316-RZ	Cable entry	G 7/8"-G1"	P410Z	AISI 316
37	1	77013Z	R709-318-RZ	Clamp	Ø18-21	P416Z	AISI 316
40	1	77070Z	R709-270	Cable hose	Ø25 l=3 m		AISI 316
	(1)	77071Z	R709-314	Cable hose	Ø25 l=5 m		AISI 316
	(1)	77072Z	R709-348	Cable hose	Ø25 l=10 m		AISI 316
42	1	77076L	R760-145	Seal ring	Ø23xØ19x2		PTFE
43	1	77077L	R709-301	Seal ring	Ø30xØ22x2		PTFE
45	2	9B4422	R754-085	Hexagon socket screw	M 6 x 16		AISI 316
Option: waterdetector							
300	1		R717-064	Water probe			
Option Sparepart kit							
600	1	77801E	R510-1002	Spare part kit	R40-basis mh170+200		

RD4021



RD4021

