

Pos	Qty	Art.Code	Description		DIN	Model	Material
1	1	55-700-153-GG	Motor housing	mh135	-	1834A	GG 25
3	1	55-702-259-WX	Stator	2.6 kW-2	-	020-2070100B	
3	(1)	55-702-259-WU	Stator with thermo switches	2.6 kW-2	-	020-2070100B	
4	1	55-703-432-RM	Rotor	2.6 kW-2	-	030-3070100B	AISI 431
5	1	55-750-108	Ball bearing	6304 2RSH /C3 GJN	-		
6	1	55-750-005	Ball bearing	6305 2RS C3	-		
10	1	55-704-179-GG	Seal housing	RW21	-	1830A	GG 25
11	1	55-704-128-NI	Membrane	RW/RS/RD/RC20/21	-		NBR
12	1	55-706-328	Mechanical seal	Ø25	-		Carbon/AlOx/N
13	1	55-706-291	Mechanical seal	Ø20	-		SiC/SiC/NBR
56	1	55-713-210-RZ	Data plate	Robot Pumps	-		AISI 316
59	1	55-751-004	O-ring	52.39x 3.53	-		NBR
61	1	55-751-093	O-ring	152x 3.53	-		NBR
66	1	55-752-002	Circlip	A 20x1.2	471		spring steel
67	1	55-752-007	Circlip	A 25x1.2	471		spring steel
68	1	55-752-034	Circlip	J 62x2	472		spring steel
70	1	55-757-083	Slotted head screw	M 6x 8	84a		CuZn 40
71	1	55-754-157	Hexagon socket screw	M 8x 12	912		AISI 304
73	2	55-754-028	Hexagon socket screw	M 8x 16	912		AISI 304
75	4	55-754-030	Hexagon socket screw	M 8x 35	912		AISI 304
83	1	55-756-130	Key	5x 5x20	6885A		AISI 316
84	1	55-756-028	Dubo ring	M 8 type 303	-		PA 6.6
85	2	55-756-028	Dubo ring	M 8 type 303	-		PA 6.6
87	8	55-757-076	Data plate rivet	2.9x6.5	-		AISI 316
94	1	55-759-002	Cable lug	M 6 (2.5mm2)	-		
95	1	55-906-064	Hose clamp	80-100 mm	-		RVS+Nikkelsta
96	1	55-906-069	Oil	Marcol 152	-		
101	1	55-701-210-GG	Pump casing	RW2110	-	2122	GG 25
118	1	55-760-122	Gasket	Ø190xØ171x2	-		CR
124	4	55-754-125	Hexagon socket screw	M 8x 40	912		AISI 304
140	1	55-708-386-NG	Impeller	138 RW2110/20	-	2133	GGG 40
140	(1)	55-708-385-NG	Impeller	125 RW2110/20	-	2132	GGG 40
141	1	55-713-226-RU	Impeller hubcap	ø30xø9x4	-	713-226	AISI 329
145	1	55-754-117	Hex. sock. screw counter sun	M 8x 18	Spec		AISI 316

Supplement installation -F

203	1	55-912-054	Shackle	10mm	-		AISI 316
210	1	55-712-199-GG	Hose connection	3"-90gr.	-	2127	GG 25
210	(1)	55-712-159-GG	Hose connection	2"-90gr.	-	1988	GG 25
210	(1)	55-712-205-GG	Thread connection	G 2"- 90gr.Bi	-	2154	GG 25
211	2	55-753-154	Hexagon-head bolt	M16x 50	931		AISI 304
212	2	55-758-084	Washer	(M16)	125		AISI 304
213	2	55-755-086	Nut	M16	934		AISI 304
218	1	55-761-061	Gasket	Ø150xØ 80xØ 50x2	-		CR
230	1	55-711-154-NG	Support ring	RW2110/20	-	2128	GN 50
231	3	55-754-077	Hexagon socket screw	M 8x 20	912		AISI 304
232	3	55-758-087	Washer	(M 8) Ø20xØ9x3	-		AISI 303

Supplement installation -H

203	1	55-912-054	Shackle	10mm	-		AISI 316
210	1	55-712-199-GG	Hose connection	3"-90gr.	-	2127	GG 25
211	2	55-753-154	Hexagon-head bolt	M16x 50	931		AISI 304
213	2	55-755-086	Nut	M16	934		AISI 304
218	1	55-761-061	Gasket	Ø150xØ 80xØ 50x2	-		CR

Supplement installation -T

203	1	55-912-054	Shackle	10mm	-		AISI 316
210	1	55-712-199-GG	Hose connection	3"-90gr.	-	2127	GG 25
210	(1)	55-712-159-GG	Hose connection	2"-90gr.	-	1988	GG 25
211	2	55-753-154	Hexagon-head bolt	M16x 50	931		AISI 304
213	2	55-755-086	Nut	M16	934		AISI 304
218	1	55-761-061	Gasket	Ø150xØ 80xØ 50x2	-		CR
230	1	55-711-154-NG	Support ring	RW2110/20	-	2128	GN 50
231	3	55-754-077	Hexagon socket screw	M 8x 20	912		AISI 304
232	3	55-758-087	Washer	(M 8) Ø20xØ9x3	-		AISI 303

Pos	Qty	Art.Code	Description	DIN	Model	Material
Supplement installation -V						
203	1	55-912-054	Shackle	10mm	-	AISI 316
211	2	55-753-246	Stud bolt	M16x 35	939	AISI 304
213	2	55-755-086	Nut	M16	934	AISI 304
214	2	55-758-084	Washer	(M16)	125	AISI 304
218	1	55-761-061	Gasket	Ø150xØ 80xØ 50x2	-	CR

Cable list DOL 220 - 500V 50Hz

35	1	55-709-146	Cable	4x1.5mm2 Ø11.1- Ø12.5	-	Subcab
36	1	55-709-016-RZ	Cable entry	G 7/8"	-	2221 AISI 316
38	1	55-709-153	Cable sleeve	27.5x12x23x120	-	CR
39	1	55-709-010	Pressing ring	27.5x19.5x4	-	CuZn 40
39	1	55-709-125	Pressing ring	27.5x15x4	-	CuZn 40
48	3	55-759-007	Cable connector	(2.5mm2)	-	

Cable list DOL 220 - 500V with 3 aux. leaders or YD 220 - 500V 5

13	1	55-709-149	Cable	4x6mm2 Ø17.4- Ø19.0	-	Ozoflex
14	1	55-709-002-RZ	Cable entry	G 7/8"	-	2209A AISI 316
15	1	55-709-005-RZ	Clamp	Ø18-21	-	2211 AISI 316
16	1	55-709-030	Cable sleeve	27.5x19x23	-	CR
17	2	55-709-010	Pressing ring	27.5x19.5x4	-	CuZn 40

Cable list YD 380 - 500V with 3 aux. leaders 50Hz

35	1	55-709-306	Cable	10x1.5mm2 Ø18.6- Ø19.6	-	Ozoflex
36	1	55-709-016-RZ	Cable entry	G 7/8"	-	2221 AISI 316
38	1	55-709-030	Cable sleeve	27.5x19x23	-	CR
39	2	55-709-010	Pressing ring	27.5x19.5x4	-	CuZn 40
48	6	55-759-007	Cable connector	(2.5mm2)	-	

Option: cable entry and protection sleeve (AISI 316)

36	1	55-709-316-RZ	Cable entry	G 7/8"-G1"	-	2101 AISI 316
37	1	55-709-318-RZ	Clamp	Ø18-21	-	2103 AISI 316
40	1	55-709-270	Cable hose	Ø25 l=3 m	-	AISI 316
40	(1)	55-709-314	Cable hose	Ø25 l=5 m	-	AISI 316
40	(1)	55-709-348	Cable hose	Ø25 l=10 m	-	AISI 316
41	1	55-751-145	O-ring	25.07x 2.62	-	FPM
42	1	55-760-145	Gasket	Ø 23xØ 19x2	-	Teflon
43	1	55-709-301	Seal ring	30x22x2	-	PTFE
45	2	55-754-085	Hexagon socket screw	M 6x 16	912	AISI 316
46	(2)	55-758-088	Lock washer	(M 6)	127a	AISI 316

Option Sparepart kit

600	1	55-500-1001		RC/RD/RS/RW20/21/22 B	-	
-----	---	-------------	--	-----------------------	---	--

Option: rotorshaft with AISI 316 shaftend

4	1	55-703-432-RZ	Rotor	2.6 kW-2	-	030-3070100B AISI 316/420
---	---	---------------	-------	----------	---	---------------------------

Optional viton seals

13	1	55-706-330	Mechanical seal	Ø20	-	Silcarb/Silcarb/
61	1	55-751-163	O-ring	152x 3.53	-	FPM
84	1	55-756-127	Seal ring	(M 8)	-	PTFE
85	2	55-756-127	Seal ring	(M 8)	-	PTFE
118	1	55-760-133	Gasket	Ø190xØ171x2	-	FPM
218	1	55-761-070	Gasket	Ø150xØ 80xØ 50x2	-	FPM

RW2110BE- B00
460.00
Basic version



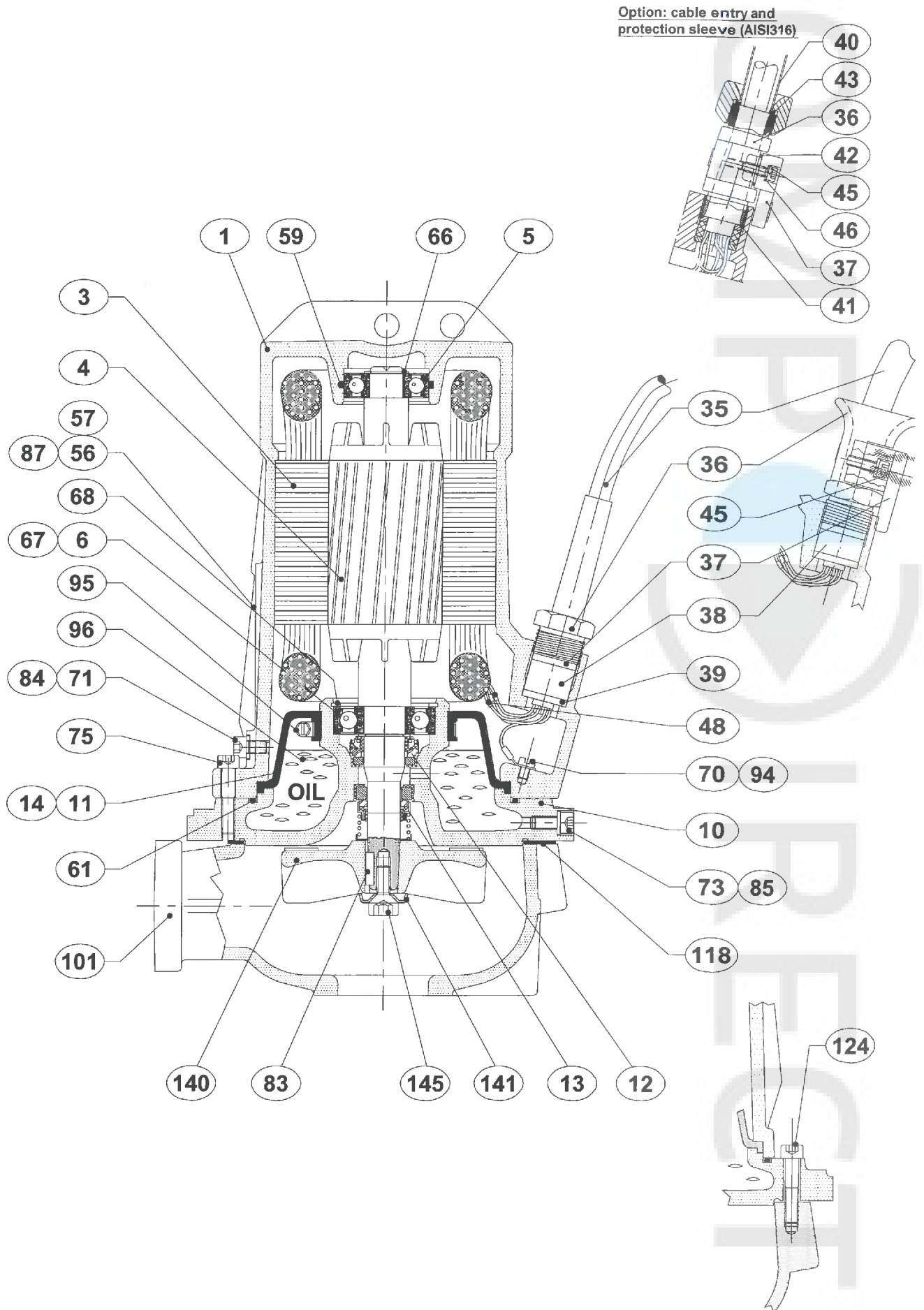
Partslist P460-BE-01
Draw.nr. 460N2
Date 03-1997

Pos	Qty	Art.Code	Description		DIN	Model	Material
Option: impeller in special material							
140	1	55-708-397-RZ	Impeller	160 RW2110/20	-	2219	AISI 316
140	1	55-708-386-RZ	Impeller	138 RW2110/20	-	2183	AISI 316
140	1	55-708-385-RZ	Impeller	125 RW2110/20	-	2183	AISI 316
140	1	55-708-386-RU	Impeller	138 RW2110/20	-	2183	AISI 329
140	1	55-708-385-RU	Impeller	125 RW2110/20	-	2183	AISI 329
140	1	55-708-437-NH	Impeller	138 RW2110/20	-	2139A	Nihard 4
140	1	55-708-454-NH	Impeller	125 RW2110/20	-	2139A	Nihard 4

Option: zincanode

500	1	55-717-110	Anode	Ø 65	-		Zn
501	3	55-717-115	Distance tube	Ø 20x Ø 10 l=12mm	-		AISI 304
502	(3)	55-754-029	Hexagon socket screw	M 8x 25	912		AISI 304
231	(3)	55-754-030	Hexagon socket screw	M 8x 35	912		AISI 304

Parts list drawing



Parts list drawing

