

Pos	Qty	Art.Code	Description		DIN	Model	Material
1	1	55-700-153-GG	Motor housing	mh135	-	1834A	GG 25
3	1	55-702-258-WX	Stator	2.2 kW-4	-	020-2080100D	
3	(1)	55-702-258-WU	Stator with thermo switches	2.2 kW-4	-	020-2080100D	
4	1	55-703-442-RM	Rotor	2.2 kW-4	-	030-3080100D	AISI 431
5	1	55-750-108	Ball bearing	6304 2RSH /C3 GJN	-		
6	1	55-750-005	Ball bearing	6305 2RS C3	-		
10	1	55-704-180-GG	Seal housing	RW2122/30/40	-	1889A	GG 25
11	1	55-704-128-NI	Membrane	RW/RS/RD/RC20/21	-		NBR
12	1	55-706-328	Mechanical seal	Ø25	-		Carbon/AIOx/N
13	1	55-706-291	Mechanical seal	Ø20	-		SiC/SiC/NBR
56	1	55-713-210-RZ	Data plate	Robot Pumps	-		AISI 316
59	1	55-751-004	O-ring	52.39x 3.53	-		NBR
61	1	55-751-093	O-ring	152x 3.53	-		NBR
66	1	55-752-002	Circlip	A 20x1.2	471		spring steel
67	1	55-752-007	Circlip	A 25x1.2	471		spring steel
68	1	55-752-034	Circlip	J 62x2	472		spring steel
70	1	55-757-083	Slotted head screw	M 6x 8	84a		CuZn 40
71	1	55-754-157	Hexagon socket screw	M 8x 12	912		AISI 304
73	3	55-754-028	Hexagon socket screw	M 8x 16	912		AISI 304
75	4	55-754-030	Hexagon socket screw	M 8x 35	912		AISI 304
83	1	55-756-130	Key	5x 5x20	6885A		AISI 316
84	1	55-756-028	Dubo ring	M 8 type 303	-		PA 6.6
85	3	55-756-028	Dubo ring	M 8 type 303	-		PA 6.6
87	8	55-757-076	Data plate rivet	2.9x6.5	-		AISI 316
94	1	55-759-002	Cable lug	M 6 (2.5mm2)	-		
95	1	55-906-064	Hose clamp	80-100 mm	-		RVS+Nikkelsta
96	1	55-906-069	Oil	Marcol 152	-		
101	1	55-701-148-GG	Pump casing	RW2020/4020/21	-	1907	GG 25
118	1	55-760-101	Gasket	Ø298xØ256x2	-		CR
118	1	55-760-143	Gasket	Ø300xØ255x2	-		FPM
124	4	55-754-080	Hexagon socket screw	M12x 35	912		AISI 304
140	1	55-708-390-NG	Impeller	250 RW2122/40	-	1898	GGG 40
141	1	55-713-226-RU	Impeller hubcap	ø30xø9x4	-	713-226	AISI 329
145	1	55-754-117	Hex. sock. screw counter sun	M 8x 18	Spec		AISI 316
218	1	55-761-062	Gasket	Ø108xØ 75x2	-		FPM

Supplement installation -F and -T

203	1	55-912-054	Shackle	10mm	-		AISI 316
210	1	55-712-201-GG	Hose connection	3"-90gr.	-	2121	GG 25
211	4	55-753-032	Stud bolt	M10x 30	939		AISI 304
213	4	55-755-029	Nut	M10	934		AISI 304
218	1	55-761-001	Gasket	Ø108xØ 75x2	-		CR
230	1	55-715-119-ST	Support ring	stc 114 en stc 138	-		Fe galv
231	3	55-754-029	Hexagon socket screw	M 8x 25	912		AISI 304

Supplement installation -H

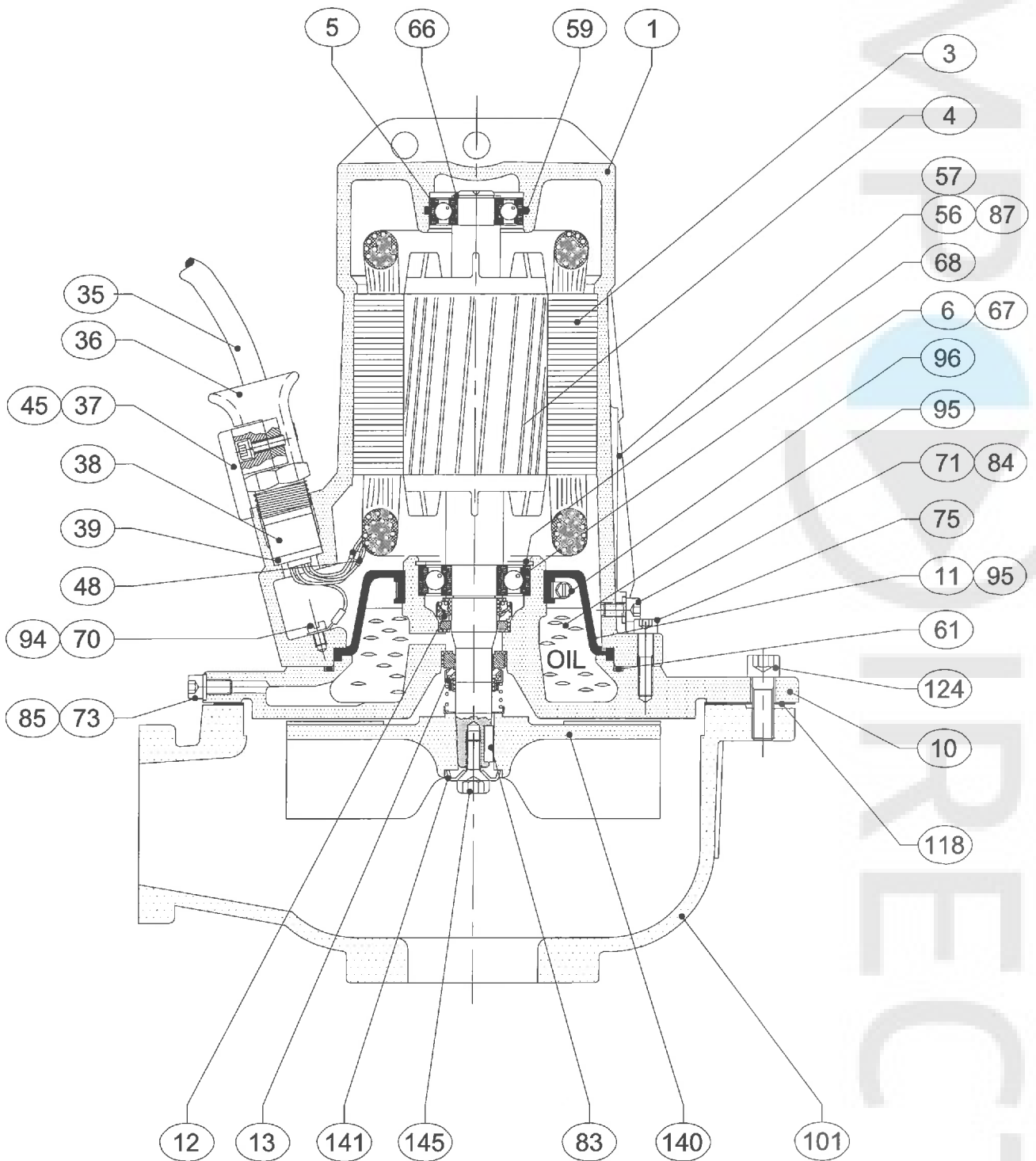
200	1	55-710-261-ST	Suspension bracket	H-20g/40	-		Fe galv.
201	2	55-754-077	Hexagon socket screw	M 8x 20	912		AISI 304
203	1	55-912-054	Shackle	10mm	-		AISI 316
210	1	55-712-051-GG	Hose connection	3"	-	1296	GG 25
210	(1)	55-712-052-GG	Hose connection	4"-3	-	1114	GG 25
211	4	55-753-032	Stud bolt	M10x 30	939		AISI 304
213	4	55-755-029	Nut	M10	934		AISI 304
214	4	55-758-081	Washer	(M10)	125		AISI 304
218	1	55-761-001	Gasket	Ø108xØ 75x2	-		CR
220	1	55-712-129-GG	Suction elbow	3"	-	1466	GG 25
221	3	55-754-029	Hexagon socket screw	M 8x 25	912		AISI 304

Supplement installation -V

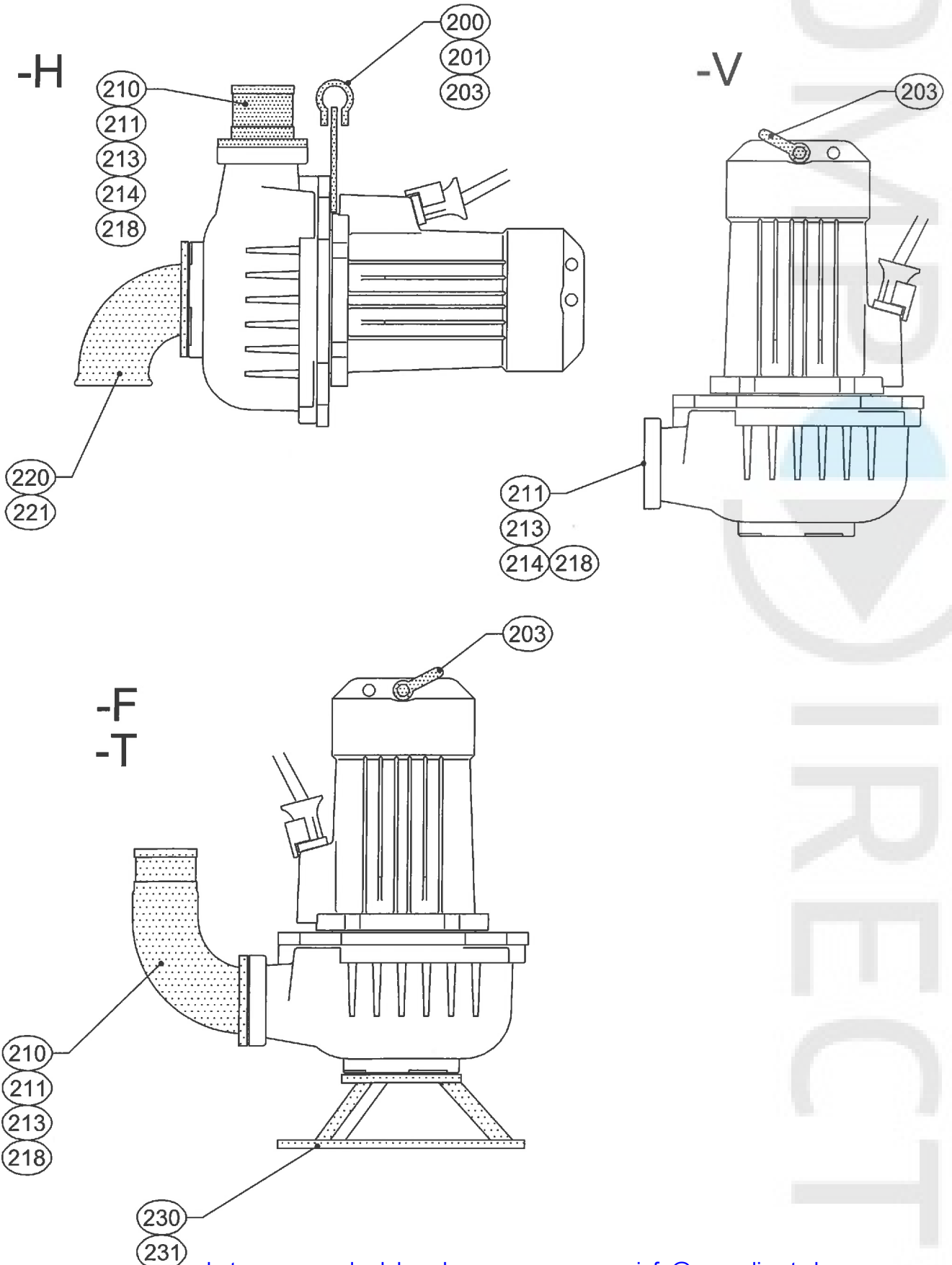
203	1	55-912-054	Shackle	10mm	-		AISI 316
211	4	55-753-166	Hexagon-head bolt	M10x 50	931		AISI 304
213	4	55-755-029	Nut	M10	934		AISI 304
214	4	55-758-081	Washer	(M10)	125		AISI 304
218	1	55-761-001	Gasket	Ø108xØ 75x2	-		CR

Pos	Qty	Art.Code	Description	DIN	Model	Material
Cable list DOL 220 - 500V 50Hz						
35	1	55-709-147	Cable	4x2.5mm2 Ø13.0- Ø15.0	-	Ozoflex
36	1	55-709-016-RZ	Cable entry	G 7/8"	-	2221 AISI 316
38	1	55-709-028	Cable sleeve	27.5x14x23	-	CR
39	2	55-709-125	Pressing ring	27.5x15x4	-	CuZn 40
48	3	55-759-007	Cable connector	(2.5mm2)	-	
Cable list DOL 220 - 500V with 3 aux. leaders or YD 220 - 500V 5						
35	1	55-709-225	Cable	7G1.5mm2	-	CR / EPR / Cu
36	1	55-709-016-RZ	Cable entry	G 7/8"	-	2221 AISI 316
38	1	55-709-029	Cable sleeve	27.5x16x23	-	CR
39	2	55-709-167	Pressing ring	27.5x18x4	-	CuZn 40
48	6	55-759-007	Cable connector	(2.5mm2)	-	
Cable list YD 220 - 500V with 3 aux. leaders 50Hz						
35	1	55-709-306	Cable	10x1.5mm2 Ø18.6- Ø19.6	-	Ozoflex
36	1	55-709-016-RZ	Cable entry	G 7/8"	-	2221 AISI 316
38	1	55-709-030	Cable sleeve	27.5x19x23	-	CR
39	2	55-709-010	Pressing ring	27.5x19.5x4	-	CuZn 40
48	6	55-759-007	Cable connector	(2.5mm2)	-	
Option Sparepart kit						
600	1	55-500-1001		RC/RD/RS/RW20/21/22 B	-	
Option: rotorshaft with AISI 316 shaftend						
4	1	55-703-442-RZ	Rotor	2.2 kW-4	-	030-3080100D AISI 316/C45
Optional viton seals						
13	1	55-706-330	Mechanical seal	Ø20	-	Silcarb/Silcarb/
61	1	55-751-163	O-ring	152x 3.53	-	FPM
Option: impeller in special material						
140	1	55-708-390-RZ	Impeller	250 RW2122/40	-	2067R AISI 316
140	1	55-708-390-RU	Impeller	250 RW2122/40	-	2067R AISI 329
Option: waterdetector						
300	1	55-717-090	Water detector		-	
Option: zincanode						
500	1	55-717-111	Anode	Ø 75	-	Zn
501	3	55-717-115	Distance tube	Ø 20x Ø 10 l=12mm	-	AISI 304
502	(3)	55-754-029	Hexagon socket screw	M 8x 25	912	AISI 304
231	(3)	55-754-030	Hexagon socket screw	M 8x 35	912	AISI 304

Parts list drawing



Parts list drawing



Option zincanode

