

Robot Pumps RW4021BR 418.02

1	1	55-700-203-RZ	Motor housing	mh200-rc	-	2087	AISI 316
3	1	55-702-267-YE	Stator with thermo switches	9.5 kW-2	-	020-2110130B	
4	1	55-703-444-RZ	Rotor	9.5 kW-2	-	030-3110130B	AISI 316/431
5	1	55-750-109	Ball bearing	6306 2RS1 /C3 GJN	628		
6	1	55-750-054	Ball bearing	6307-2Z-C3	-		
10	1	55-704-169-RZ-P	Seal housing	-C	-	2202	AISI 316
10	(1)	55-704-169-RZ-S	Seal housing	-C (extern)	-	2202	AISI 316
12	1	55-706-350	Mechanical seal	Ø35	-		Carbon/ceramic/NBR
13	1	55-706-317	Mechanical seal	Ø30	-		SiC/SiC/FPM
15	1	55-707-221-RZ	Bearing housing	RW40- R	-	2201	AISI 316
16	1	55-707-222-RZ	Bearing retainer	M 90x2	-		AISI 316
19	1	55-706-351-RZ	Seal sleeve		-	2217	RVS 316
22	2	55-709-273-RZ	Cable entry	Ø 45/ M42x1.5	-	2190	AISI 316
56	1	55-713-210-RZ	Data plate	Robot Pumps	-		AISI 316
58	2	55-709-337	Seal ring	20x12x2	-		FPM
59	1	55-751-191	O-ring	71.44x 3.53	-		FPM
60	1	55-751-182	O-ring	78.97x 3.53	-		FPM
61	1	55-751-181	O-ring	221.84x 3.53	-		FPM
62	1	55-751-181	O-ring	221.84x 3.53	-		FPM
63	2	55-751-069	O-ring	34.53 x 3.53	-		FPM
65	1	55-760-137	Gasket	Ø285xØ234x0.5	-		Kling. C4430
66	1	55-752-003	Circlip	A 30x1.5	471		spring steel
67	1	55-752-004	Circlip	A 35x1.5	471		spring steel
69	1	55-752-004	Circlip	A 35x1.5	471		spring steel
70	1	55-757-083	Slotted head screw	M 6x 8	84a		CuZn 40
71	1	55-754-100	Hexagon socket screw	M 8x 16	912		AISI 316
73	4	55-754-181	Hexagon socket screw	M10x 20	912		AISI 316
74	2	55-754-165	Hexagon socket screw	M 8x 20	912		AISI 316
75	4	55-754-168	Hexagon socket screw	M10x 55	912		AISI 316
76	8	55-754-141	Hexagon socket screw	M 6x 20	912		AISI 316
81	3	55-754-085	Hexagon socket screw	M 6x 16	912		AISI 316
83	1	55-756-101	Key	6x 6x20	6885A		AISI 316
84	1	55-756-127	Seal ring	(M 8)	-		PTFE
85	4	55-756-128	Seal ring	(M10)	-		PTFE
87	8	55-757-076	Data plate rivet	2.9x6.5	-		AISI 316
94	1	55-759-002	Cable lug	M 6 (2.5mm2)	-		
96	1	55-906-069	Oil	Marcol 152	-		
101	(1)	55-701-204-RZ	Pump casing	RW4020/21-R	-	2085	AISI 316
101	(1)	55-701-157-RZ	Pump casing	BW20/21 8G NW 80	-	1961R	AISI 316
118	1	55-751-221	O-ring	249.3x 5.7	-		FPM
124	4	55-754-182	Hexagon socket screw	M12x 35	912		AISI 316
140	1	55-708-369-RZ	Impeller	180 RW4021/31/32	-	2088	AISI 316
141	1	55-713-226-RU	Impeller hubcap	ø30xø9x4	-	713-226	AISI 329
145	1	55-754-117	Hex. sock. screw counter sunk.	M 8x 18	Spec		AISI 316
150	1	55-711-167-RZ	Cooling jacket	mh200	-		AISI 316
151	1	55-716-076	Cooling pipe	Ø16.00x1.00	-		AISI 316
152	1	55-751-183	O-ring	272x 7.00	-		FPM
155	4	55-753-220	Stud bolt	M12x 70	939		AISI 316
156	4	55-755-091	Nut	M12	934		AISI 316
157	4	55-756-118	Seal ring	24x12x5	-		FPM
158	4	55-756-103	Cup ring	(M12)	-		AISI 316
159	1	55-756-132	Plug	G 3/8	910		AISI 316
160	1	55-756-147	Seal ring	17x24x2	-		PTFE
161	3	55-756-123	Plug	G 1/2	910		AISI 316

162	3	55-756-148	Seal ring	21x27x2	-		PTFE
163	(1)	55-756-140	Grub screw	M16x20	916a		AISI 316
200	1	55-710-369-RZ	Suspension bracket	mh200	-	2086	AISI 316

Supplement installation -A (horizontal)

112	1	55-756-132	Plug	G 3/8	910		AISI 316
113	1	55-756-123	Plug	G 1/2	910		AISI 316
114	1	55-756-147	Seal ring	17x24x2	-		PTFE
115	1	55-756-148	Seal ring	21x27x2	-		PTFE
203	1	55-912-054	Shackle	10mm	-		AISI 316
230	1	55-710-377-RZ	Pump casing support	A hor	-		AISI 316
232	3	55-754-153	Hexagon socket screw	M10x 25	912		AISI 316
240	1	55-710-378-RZ	Support	A hor	-		AISI 316
242	2	55-754-152	Hexagon socket screw	M12x 30	912		AISI 316

Supplement installation -A (vertical)

112	1	55-756-132	Plug	G 3/8	910		AISI 316
113	1	55-756-123	Plug	G 1/2	910		AISI 316
114	1	55-756-147	Seal ring	17x24x2	-		PTFE
115	1	55-756-148	Seal ring	21x27x2	-		PTFE
203	1	55-912-054	Shackle	10mm	-		AISI 316
230	1	55-715-096-RZ	Support	V	-		AISI 316
231	4	55-754-151	Hexagon socket screw	M10x 30	912		AISI 316

Supplement installation -F

203	1	55-912-054	Shackle	10mm	-		AISI 316
210	1	55-712-201-RZ	Hose connection	3"-90gr.	-	2297	AISI 316
211	4	55-753-265	Stud bolt	M10x 30	939		AISI 316
213	4	55-755-097	Nut	M10	934		AISI 316
214	4	55-758-101	Washer	(M10)	125		AISI 316
218	1	55-761-062	Gasket	Ø108xØ 75x2	-		FPM
230	1	55-715-119-RZ	Support ring	stc 114 en stc 138	-		AISI 316
231	3	55-754-165	Hexagon socket screw	M 8 x 20	912		AISI 316

Supplement installation -V

203	1	55-912-054	Shackle	10mm	-		AISI 316
211	4	55-753-215	Hexagon-head bolt	M10x 45	931		AISI 316
213	4	55-755-097	Nut	M10	934		AISI 316
214	4	55-758-101	Washer	(M10)	125		AISI 316
218	1	55-761-062	Gasket	Ø108xØ 75x2	-		FPM

Auxiliary cable

35	1	55-709-086	Cable	4x2.5mm2 Ø15.6- Ø16.6	-		Protomont
36	1	55-709-274-RZ	Cable entry	M42x1.5	-	2191	AISI 316
37	1	55-709-280-RZ	Clamp	Ø15-19	-	2193	AISI 316
38	1	55-709-303	Cable sleeve	39x15x24	-		CR

39	2	55-709-285	Pressing ring	38.5x24x3.5	-		AISI 316
45	2	55-754-165	Hexagon socket screw	M 8x 20	912		AISI 316
48	3	55-759-007	Cable connector	(2.5mm2)	-		

Cable list YD 380 - 500V 50Hz

35	1	55-709-074	Cable	7x2.5mm2 Ø18.0-Ø21.0	-		Protomont
36	1	55-709-274-RZ	Cable entry	M42x1.5	-	2191	AISI 316
37	1	55-709-276-RZ	Clamp	Ø20-25	-	2192	AISI 316
38	1	55-709-283	Cable sleeve	39x17x24	-		CR
39	2	55-709-285	Pressing ring	38.5x24x3.5	-		AISI 316
45	2	55-754-165	Hexagon socket screw	M 8x 20	912		AISI 316
48	6	55-759-007	Cable connector	(2.5mm2)	-		

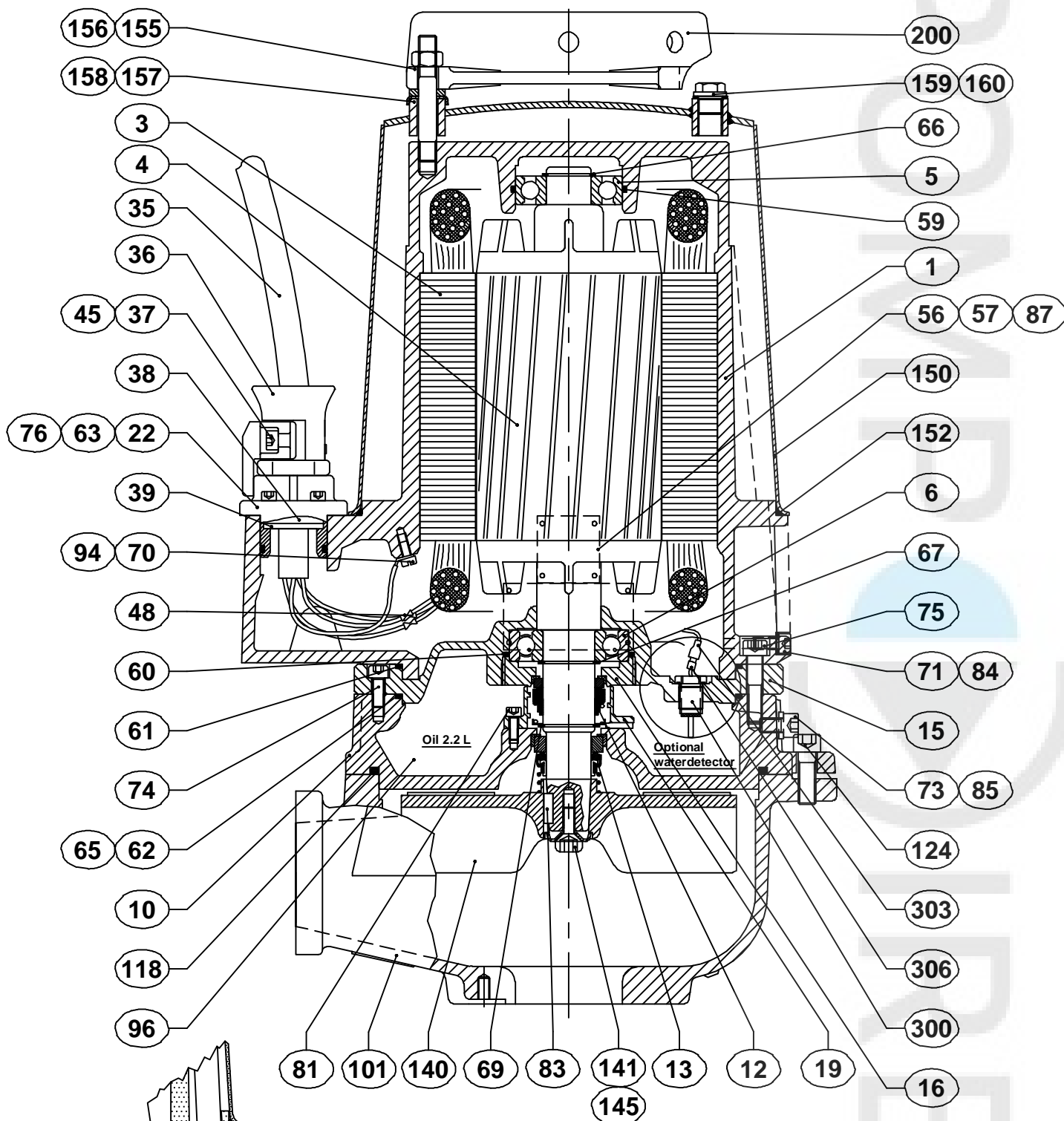
Option: cable protection sleeve (AISI 316)

36	2	55-709-302	Cable entry	M42x1.5/G1"	-		AISI 316
40	2	55-709-270	Cable hose	Ø25 l=3 m	-		AISI 316
40	(2)	55-709-314	Cable hose	Ø25 l=5 m	-		AISI 316
40	(2)	55-709-348	Cable hose	Ø25 l=10 m	-		AISI 316
41	2	55-751-202	O-ring	34x 3.00	-		FPM
42	2	55-709-301	Seal ring	30x22x2	-		PTFE

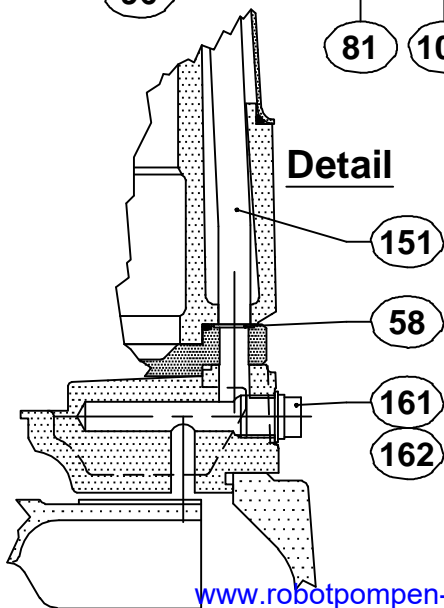
Option: waterdetector

15	1	55-707-221-RZ-W	Bearing housing	RW40- R	-	2201	AISI 316
300	1	55-717-122	Water detector	M16x1.5	-		
303	1	55-759-083	Wire clamp	(2.5mm2)	-		
306	1	55-759-105	Contact lip	(2.5mm2)	-		

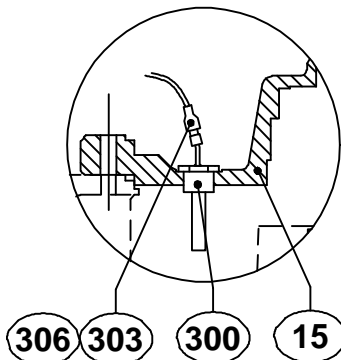
Parts list drawing



Detail



Optional water detector



Option: cable entry and protection sleeve (AISI316)

