

Pos	Qty	Art.Code	Description		DIN	Model	Material
1	1	55-700-183-GG	Motor housing	mh200	-	1919	GG 25
3	1	55-702-388-YU	Stator with thermo switches	13 kW-2	-	020-2110180B	
4	1	55-703-440-RM	Rotor	13 kW-2	-	030-3110180B	AISI 431
5	1	55-750-109	Ball bearing	6306 2RS1 /C3 GJN	628		
6	1	55-750-054	Ball bearing	6307-2Z-C3	-		
10	1	55-704-140-GG	Seal housing	RW40	-	1906A	GG 25
11	1	55-704-144-NI	Membrane	RW/RT40	-		NBR
12	1	55-706-314	Mechanical seal	Ø35	-		Carb/ceramic/N
13	1	55-706-318	Mechanical seal	Ø30	-		SiC/SiC/NBR
56	1	55-713-210-RZ	Data plate	Robot Pumps	-		AISI 316
59	1	55-751-005	O-ring	71.44x 3.53	-		NBR
66	1	55-752-003	Circlip	A 30x1.5	471		spring steel
67	1	55-752-004	Circlip	A 35x1.5	471		spring steel
68	1	55-752-031	Circlip	J 80x2.5	472		spring steel
70	1	55-757-083	Slotted head screw	M 6x 8	84a		CuZn 40
71	1	55-754-157	Hexagon socket screw	M 8x 12	912		AISI 304
73	3	55-754-092	Hexagon socket screw	M10x 20	912		AISI 304
74	4	55-754-079	Hexagon socket screw	M10x 30	912		AISI 304
83	1	55-756-101	Key	6x 6x20	6885A		AISI 316
84	1	55-756-028	Dubo ring	M 8 type 303	-		PA 6.6
85	3	55-756-027	Dubo ring	M10 type 305	-		PA 6.6
87	8	55-757-076	Data plate rivet	2.9x6.5	-		AISI 316
94	1	55-759-002	Cable lug	M 6 (2.5mm2)	-		
95	1	55-906-067	Hose clamp	90-110 mm	-		RVS
96	1	55-906-069	Oil	Marcol 152	-		
101	1	55-701-207-GG	Pump casing	RW6130/4032	-	2100	GG 25
118	1	55-751-176	O-ring	249.3x 5.7	-		NBR
124	4	55-754-080	Hexagon socket screw	M12x 35	912		AISI 304
140	1	55-708-366-NG	Impeller	180 RW4021/31/32	-	1943	GGG 40
141	1	55-713-226-RU	Impeller hubcap	ø30xø9x4	-	713-226	AISI 329
145	1	55-754-117	Hex. sock. screw counter sun	M 8x 18	Spec		AISI 316

Supplement installation -F and -T

200	1	55-710-298-NG	Suspension bracket	V mh200b	-	2158	GGG 40
201	3	55-754-029	Hexagon socket screw	M 8x 25	912		AISI 304
203	1	55-912-054	Shackle	10mm	-		AISI 316
206	3	55-758-083	Washer	(M 8)	125		AISI 304
210	1	55-712-143-GG	Hose connection	4"-90gr.	-	1788	GG 25
210	(1)	55-712-144-GG	Hose connection	4"-3-90gr.	-	1789	GG 25
210	(1)	55-712-183-GG	Hose connection	4"-90gr. (SL)	-	2091	GG 25
210	(1)	55-712-194-ST	Thread connection	NPT 4"-90gr.Bu	-		Fe 360
211	4	55-753-152	Hexagon-head bolt	M12x 50	931		AISI 304
211	(4)	55-753-158	Stud bolt	M12x 35	939		AISI 316
213	4	55-755-083	Nut	M12	934		AISI 304
214	4	55-758-095	Washer	(M12)	125		AISI 304
218	1	55-761-002	Gasket	Ø140xØ105x2	-		CR
230	1	55-715-118-ST	Support ring	stc 138 en stc 170	-		Fe galv
231	3	55-754-027	Hexagon socket screw	M10x 25	912		AISI 304

Supplement installation -H

200	1	55-710-306-ST	Suspension bracket	H	-		Fe 360
201	2	55-754-077	Hexagon socket screw	M 8x 20	912		AISI 304
203	1	55-912-054	Shackle	10mm	-		AISI 316
210	1	55-712-053-GG	Hose connection	4"	-	1293	GG 25
210	(1)	55-712-054-GG	Hose connection	6"-4	-	1748	GG 25
211	4	55-753-152	Hexagon-head bolt	M12x 50	931		AISI 304
213	4	55-755-083	Nut	M12	934		AISI 304
214	4	55-758-095	Washer	(M12)	125		AISI 304
218	1	55-761-002	Gasket	Ø140xØ105x2	-		CR
220	1	55-712-131-GG	Suction elbow	4"	-	1467A	GG 25
221	3	55-754-027	Hexagon socket screw	M10x 25	912		AISI 304

Supplement installation -V

200	1	55-710-298-NG	Suspension bracket	V mh200b	-	2158	GGG 40
201	3	55-754-029	Hexagon socket screw	M 8x 25	912		AISI 304
203	1	55-912-054	Shackle	10mm	-		AISI 316
206	3	55-758-083	Washer	(M 8)	125		AISI 304

Pos	Qty	Art.Code	Description		DIN	Model	Material
211	4	55-753-152	Hexagon-head bolt	M12x 50	931		AISI 304
213	4	55-755-083	Nut	M12	934		AISI 304
214	4	55-758-095	Washer	(M12)	125		AISI 304
218	1	55-761-002	Gasket	Ø140xØ105x2	-		CR
218	(1)	55-761-057	Gasket	Ø150xØ 97x2	-		CR

Auxiliary cable (optional)

35	1	55-709-147	Cable	4x2.5mm ² Ø13.0- Ø15.0	-		Ozoflex
36	1	55-709-002-RZ	Cable entry	G 7/8"	-	2209A	AISI 316
37	1	55-709-006-RZ	Clamp	Ø12-14	-	2212	AISI 316
38	1	55-709-028	Cable sleeve	27.5x14x23	-		CR
39	2	55-709-125	Pressing ring	27.5x15x4	-		CuZn 40
45	2	55-754-093	Hexagon socket screw	M 6x 16	912		AISI 304
48	3	55-759-007	Cable connector	(2.5mm ²)	-		

Entry- blind (optional)

36	1	55-709-016-RZ	Cable entry	G 7/8"	-	2221	AISI 316
38	1	55-709-051	Cable sleeve	27.5x23	-		CR
39	2	55-709-052	Pressing ring	27.5x3	-		CuZn 40

Cable list YD 380 - 500V 50Hz

35	1	55-709-225	Cable	7G1.5mm ²	-		CR / EPR / Cu
36	1	55-709-002-RZ	Cable entry	G 7/8"	-	2209A	AISI 316
37	1	55-709-004-RZ	Clamp	Ø15-17	-	2210	AISI 316
38	1	55-709-029	Cable sleeve	27.5x16x23	-		CR
39	2	55-709-167	Pressing ring	27.5x18x4	-		CuZn 40
45	2	55-754-093	Hexagon socket screw	M 6x 16	912		AISI 304
48	6	55-759-007	Cable connector	(2.5mm ²)	-		

Option: cable entry and protection sleeve (AISI 316)

36	1	55-709-316-RZ	Cable entry	G 7/8"-G1"	-	2101	AISI 316
37	1	55-709-318-RZ	Clamp	Ø18-21	-	2103	AISI 316
40	1	55-709-270	Cable hose	Ø25 l=3 m	-		AISI 316
40	(1)	55-709-314	Cable hose	Ø25 l=5 m	-		AISI 316
40	(1)	55-709-348	Cable hose	Ø25 l=10 m	-		AISI 316
41	1	55-751-145	O-ring	25.07x 2.62	-		FPM
42	1	55-760-145	Gasket	Ø 23xØ 19x2	-		Teflon
43	1	55-709-301	Seal ring	30x22x2	-		PTFE
45	2	55-754-085	Hexagon socket screw	M 6x 16	912		AISI 316
46	(2)	55-758-088	Lock washer	(M 6)	127a		AISI 316

Option: rotorshaft with AISI 316 shaftend

4	1	55-703-440-RZ	Rotor	13 kW-2	-	030-3110180B	AISI 316/420
---	---	---------------	-------	---------	---	--------------	--------------

Optional viton seals

11	1	55-704-144-VI	Membrane	RW/RD40	-		FPM
13	1	55-706-317	Mechanical seal	Ø30	-		SiC/SiC/FPM
84	1	55-756-127	Seal ring	(M 8)	-		PTFE
85	3	55-756-128	Seal ring	(M10)	-		PTFE
118	1	55-751-221	O-ring	249.3x 5.7	-		FPM
218	1	55-761-060	Gasket	Ø140xØ105x2	-		FPM

Option: impeller in special material

140	1	55-708-369-RZ	Impeller	180 RW4021/31/32	-	2088	AISI 316
-----	---	---------------	----------	------------------	---	------	----------

Option: waterdetector

RW4032BZ- B00
428.00
Basic version



Partslist P428-BZ-01
Draw.nr. 428N2
Date 03-1999

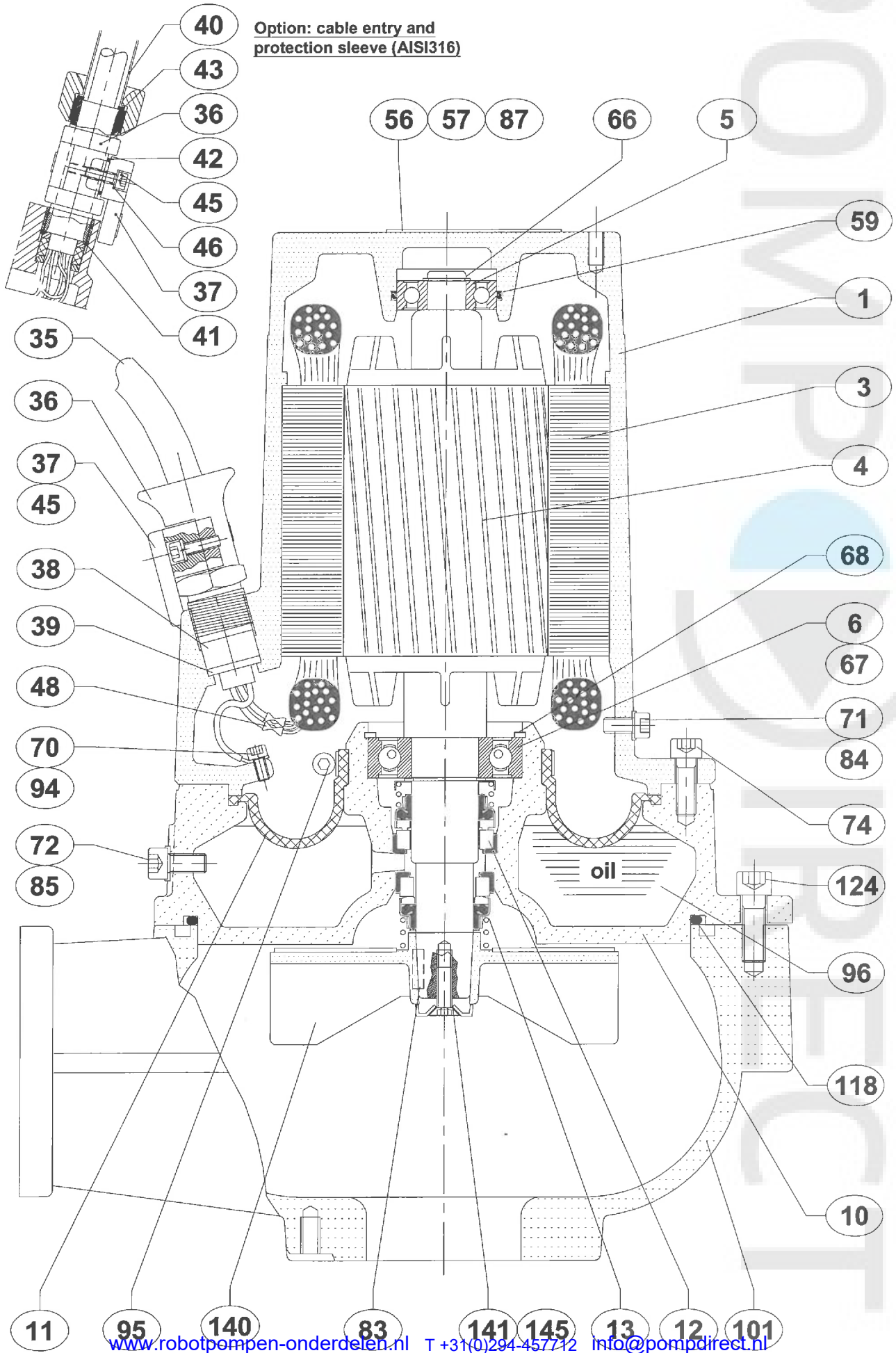
Pos	Qty	Art.Code	Description	DIN	Model	Material
300	1	55-717-064	Water detector	-		

Option: zinkanode

500	1	55-717-071	Anode	Ø 100	-	Zn
501	3	55-717-115	Distance tube	Ø 20x Ø 10 l=12mm	-	AISI 304
502	(3)	55-754-027	Hexagon socket screw	M10x 25	912	AISI 304
231	(3)	55-754-116	Hexagon socket screw	M10x 35	912	AISI 304



Parts list drawing



Parts list drawing

