

## Robot Pumps RW4032BZ 430.00

1	1	55-700-185-GG	Motor housing	mh200 Ex	-	1920	GG 25
3	1	55-702-388-YU	Stator with thermo switches	13 kW-2	-	020-2110180B	
4	1	55-703-440-RM	Rotor	13 kW-2	-	030-3110180B	AISI 431
5	1	55-750-109	Ball bearing	6306 2RS1 /C3 GJN	628		
6	1	55-750-054	Ball bearing	6307-2Z-C3	-		
10	1	55-704-141-GG	Seal housing	RW40- E	-	1910	GG 25
12	1	55-706-314	Mechanical seal	Ø35	-		Carb/ceramic/NBR
13	1	55-706-318	Mechanical seal	Ø30	-		SiC/SiC/NBR
15	1	55-707-161-GG	Bearing housing	Ø 80	-	1909	GG 25
16	1	55-707-164-GG	Bearing retainer	M 90x2	-	1913	GG 25
20	1	55-709-214-GG	Connection box	2xG7/8-M42	-	1911	GG 25
20	(1)	55-709-207-GG	Connection box	2xG7/8"	-	1911	GG 25
21	1	55-709-208-GG	Connection box cover	HW/RW20/30/40	-	1912	GG 25
25	(1)	55-717-060	Line bushing	6x2.5mm2-M42x1.5	-		
25	(1)	55-717-062	Line bushing	6x6mm2-M42x1.5	-		
26	(3)	55-717-031	Line bushing	M15x 1 1/2	-		
54	1	55-709-213	Cover		-		Turboniet
55	1	55-709-279	Bearing cup	72	-		
56	1	55-713-210-RZ	Data plate	Robot Pumps	-		AISI 316
59	1	55-751-005	O-ring	71.44x 3.53	-		NBR
60	1	55-751-054	O-ring	78.97x 3.53	-		NBR
61	1	55-751-149	O-ring	221.84x 3.53	-		NBR
62	1	55-751-149	O-ring	221.84x 3.53	-		NBR
63	1	55-751-055	O-ring	171.04x 3.53	-		NBR
64	1	55-751-092	O-ring	114x 4.00	-		NBR
66	1	55-752-003	Circlip	A 30x1.5	471		spring steel
67	1	55-752-004	Circlip	A 35x1.5	471		spring steel
70	1	55-717-055	Grounding clamp	M5	-		AISI 304
71	1	55-753-079	Hexagon tap bolt	M 8x 16	933		AISI 304
73	3	55-754-092	Hexagon socket screw	M10x 20	912		AISI 304
74	4	55-754-120	Hexagon socket screw	M10x 45	912		AISI 304
75	2	55-754-027	Hexagon socket screw	M10x 25	912		AISI 304
76	4	55-754-029	Hexagon socket screw	M 8x 25	912		AISI 304
77	3	55-754-029	Hexagon socket screw	M 8x 25	912		AISI 304
83	1	55-756-101	Key	6x 6x20	6885A		AISI 316
84	1	55-756-028	Dubo ring	M 8 type 303	-		PA 6.6
85	3	55-756-027	Dubo ring	M10 type 305	-		PA 6.6
87	8	55-757-076	Data plate rivet	2.9x6.5	-		AISI 316
90	4	55-758-076	Lock washer	(M10)	127a		AISI 304
91	2	55-758-076	Lock washer	(M10)	127a		AISI 304
92	4	55-758-077	Lock washer	(M 8)	127a		AISI 304
93	3	55-758-077	Lock washer	(M 8)	127a		AISI 304
96	1	55-906-069	Oil	Marcol 152	-		
101	1	55-701-207-GG	Pump casing	RW6130/4032	-	2100	GG 25
118	1	55-751-176	O-ring	249.3x 5.7	-		NBR
124	4	55-754-080	Hexagon socket screw	M12x 35	912		AISI 304
140	1	55-708-366-NG	Impeller	180 RW4021/31/32	-	1943	GGG 40
141	1	55-713-226-RU	Impeller hubcap	ø30xø9x4	-	713-226	AISI 329
145	1	55-754-117	Hex. sock. screw counter sunk.	M 8x 18	Spec		AISI 316
218	1	55-761-060	Gasket	Ø140xØ105x2	-		FPM

### Supplement installation -F and -T

200	1	55-710-365-ST	Suspension bracket	T mh170/200-E	-		Fe galv.
201	4	55-754-077	Hexagon socket screw	M 8x 20	912		AISI 304
203	1	55-912-054	Shackle	10mm	-		AISI 316
210	1	55-712-143-GG	Hose connection	4"-90gr.	-	1788	GG 25
210	(1)	55-712-144-GG	Hose connection	4"-3-90gr.	-	1789	GG 25
210	(1)	55-712-183-GG	Hose connection	4"-90gr. (SL)	-	2091	GG 25
210	(1)	55-712-194-ST	Thread connection	NPT 4"-90gr.Bu	-		Fe 360
211	4	55-753-152	Hexagon-head bolt	M12x 50	931		AISI 304
211	(4)	55-753-158	Stud bolt	M12x 35	939		AISI 316
213	4	55-755-083	Nut	M12	934		AISI 304
218	1	55-761-002	Gasket	Ø140xØ105x2	-		CR
230	1	55-715-118-ST	Support ring	stc 138 en stc 170	-		Fe galv
231	3	55-754-027	Hexagon socket screw	M10x 25	912		AISI 304

### Supplement installation -H

200	1	55-710-305-ST	Suspension bracket	H 20g/40	-		Fe 360
201	2	55-754-077	Hexagon socket screw	M 8x 20	912		AISI 304
203	1	55-912-054	Shackle	10mm	-		AISI 316
210	1	55-712-053-GG	Hose connection	4"	-	1293	GG 25
210	(1)	55-712-134-GG	Hose connection	3"-4	-	1735	GG 25
210	(1)	55-712-054-GG	Hose connection	6"-4	-	1748	GG 25
211	4	55-753-152	Hexagon-head bolt	M12x 50	931		AISI 304
213	4	55-755-083	Nut	M12	934		AISI 304
214	4	55-758-095	Washer	(M12)	125		AISI 304
218	1	55-761-002	Gasket	Ø140xØ105x2	-		CR
218	1	55-761-060	Gasket	Ø140xØ105x2	-		FPM
220	1	55-712-131-GG	Suction elbow	4"	-	1467A	GG 25
221	3	55-754-027	Hexagon socket screw	M10x 25	912		AISI 304

### Supplement installation -V

200	1	55-710-365-ST	Suspension bracket	T mh170/200-E	-		Fe galv.
201	2	55-754-077	Hexagon socket screw	M 8x 20	912		AISI 304
203	1	55-912-054	Shackle	10mm	-		AISI 316
211	4	55-753-152	Hexagon-head bolt	M12x 50	931		AISI 304
213	4	55-755-083	Nut	M12	934		AISI 304
214	4	55-758-095	Washer	(M12)	125		AISI 304
218	1	55-761-002	Gasket	Ø140xØ105x2	-		CR
218	(1)	55-761-057	Gasket	Ø150xØ 97x2	-		CR

### Auxiliary cable

35	1	55-709-086	Cable	4x2.5mm2 Ø15.6- Ø16.6	-		Protomont
36	1	55-709-002-RZ	Cable entry	G 7/8"	-	2209A	AISI 316
37	1	55-709-004-RZ	Clamp	Ø15-17	-	2210	AISI 316
38	1	55-709-029	Cable sleeve	27.5x16x23	-		CR
39	2	55-709-167	Pressing ring	27.5x18x4	-		CuZn 40
45	2	55-754-093	Hexagon socket screw	M 6x 16	912		AISI 304
48	3	55-759-007	Cable connector	(2.5mm2)	-		

## Cable list YD 380 - 500V 50Hz

35	1	55-709-074	Cable	7x2.5mm <sup>2</sup> Ø18.0-Ø21.0	-		Protomont
36	1	55-709-002-RZ	Cable entry	G 7/8"	-	2209A	AISI 316
37	1	55-709-005-RZ	Clamp	Ø18-21	-	2211	AISI 316
38	1	55-709-030	Cable sleeve	27.5x19x23	-		CR
39	2	55-709-010	Pressing ring	27.5x19.5x4	-		CuZn 40
45	2	55-754-093	Hexagon socket screw	M 6x 16	912		AISI 304
46	2	55-758-079	Lock washer	(M 6)	127a		AISI 304
48	6	55-759-007	Cable connector	(2.5mm <sup>2</sup> )	-		

## Option: cable entry and protection sleeve (AISI 316)

36	1/2	55-709-316-RZ	Cable entry	G 7/8"-G1"	-	2101	AISI 316
37	(1/2)	55-709-317-RZ	Clamp	Ø15-17	-	2102	AISI 316
37	(1/2)	55-709-318-RZ	Clamp	Ø18-21	-	2103	AISI 316
40	1/2	55-709-270	Cable hose	Ø25 l=3 m	-		AISI 316
40	(1/2)	55-709-314	Cable hose	Ø25 l=5 m	-		AISI 316
40	(1/2)	55-709-348	Cable hose	Ø25 l=10 m	-		AISI 316
41	1/2	55-751-145	O-ring	25.07x 2.62	-		FPM
42	1/2	55-760-145	Gasket	Ø 23xØ 19x2	-		Teflon
43	1/2	55-709-301	Seal ring	30x22x2	-		PTFE
44	1/2	55-709-409	Tube	Ø22x24 l=24	-		PA 66
45	2/4	55-754-085	Hexagon socket screw	M 6x 16	912		AISI 316
46	2/4	55-758-088	Lock washer	(M 6)	127a		AISI 316

## Option: rotorshaft with AISI 316 shaftend

4	1	55-703-436-RZ	Rotor	6 kW-4	-	030-3103120D	AISI 316/420
---	---	---------------	-------	--------	---	--------------	--------------

## Optional viton seals

13	1	55-706-317	Mechanical seal	Ø30	-		SiC/SiC/FPM
61	1	55-751-181	O-ring	221.84x 3.53	-		FPM
62	1	55-751-181	O-ring	221.84x 3.53	-		FPM
63	1	55-751-204	O-ring	171.04x 3.53	-		FPM
64	1	55-751-165	O-ring	114x 4.00	-		FPM
84	1	55-756-127	Seal ring	(M 8)	-		PTFE
85	3	55-756-128	Seal ring	(M10)	-		PTFE
118	1	55-751-221	O-ring	249.3x 5.7	-		FPM
218	1	55-761-060	Gasket	Ø140xØ105x2	-		FPM

## Option: impeller in special material

140	1	55-708-369-RZ	Impeller	180 RW4021/31/32	-	2088	AISI 316
-----	---	---------------	----------	------------------	---	------	----------

## Option: waterdetector for Flameproof pumps

10	1	55-704-141-GG-X	Seal housing	RW40- E	-	1910	GG 25
300	1	55-709-335	Cable	2x0.75mm <sup>2</sup> -Ø9	-		PPOV-af
301	1	55-709-336	Cable entry	HSK-M PG13.5	-		CuZn 40
302	1	55-717-100	Terminal	2 pole, 2.5mm <sup>2</sup> , blue	-		

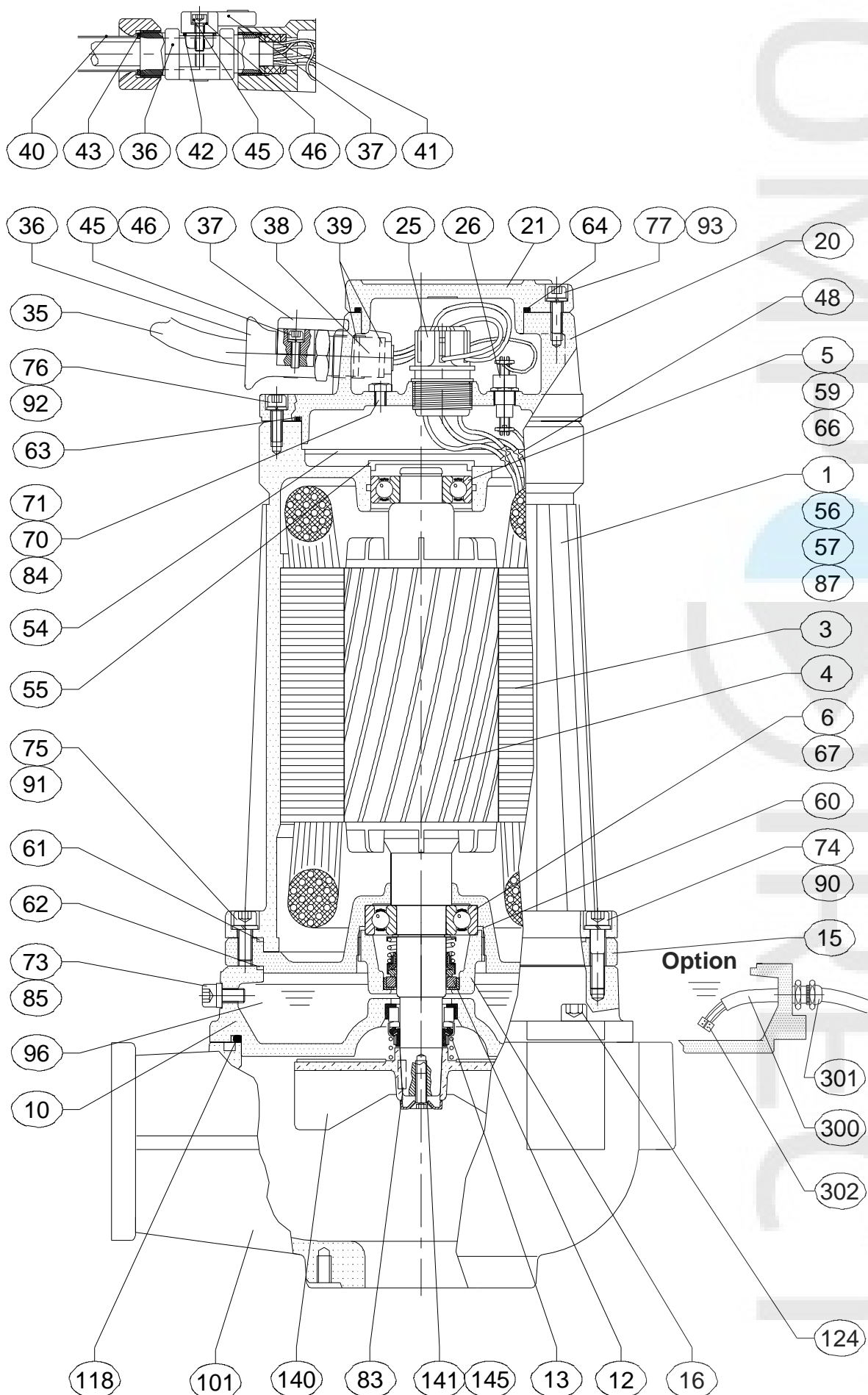
**Option: zincanode**

500	1	55-717-071	Anode	Ø 100	-	Zn
501	3	55-717-115	Distance tube	Ø 20x Ø 10 l=12mm	-	AISI 304
502	(3)	55-754-027	Hexagon socket screw	M10x 25	912	AISI 304
231	(3)	55-754-116	Hexagon socket screw	M10x 35	912	AISI 304



# Parts list drawing

Option: cable entry and protection sleeve (AISI316)



# Parts list drawing

POMPECT

