

Pos	Qty	Art.Code	Description		DIN	Model	Material
1	1	55-700-184-GG	Motor housing	mh150	-	1915A	GG 25
3	1	55-702-302-BK	Stator with thermo switches	3.5 kW-4	-	020-2090100D	
4	1	55-703-302-RM	Rotor	3.5 kW-4	-	030-3090100D	AISI 431
5	1	55-704-136-GG	Seal housing	RW20	-	1889A	GG 25
6	1	55-704-128-NI	Membrane	RW/RS/RD/RC20/21	-		NBR
7	1	55-706-291	Mechanical seal	Ø20	-		Sic/Sic/NBR
7	(1)	55-706-341	Support ring	Ø32/20.3	-		RVS 316
8	2	55-706-074	Lip seal	BA 24x40x6	-		
9	1	55-706-077	Seal sleeve	IR20x24x16	-		
20	1	55-713-210-RZ	Data plate	Robot Pumps	-		AISI 316
21	1	55-750-002	Ball bearing	6304 2RS	-		
22	1	55-750-005	Ball bearing	6305 2RS C3	-		
27	1	55-751-004	O-ring	52.39x 3.53	-		NBR
29	1	55-752-044	Support ring	S150	-		Zincor
30	1	55-752-040	Circlip	A 18x1.2	471		spring steel
31	1	55-752-002	Circlip	A 20x1.2	471		spring steel
32	1	55-752-007	Circlip	A 25x1.2	471		spring steel
33	1	55-752-034	Circlip	J 62x2	472		spring steel
34	1	55-752-039	Circlip	J 35x1.5	472		spring steel
35	1	55-754-157	Hexagon socket screw	M 8x 12	912		AISI 304
36	2	55-754-028	Hexagon socket screw	M 8x 16	912		AISI 304
38	2	55-754-082	Hexagon socket screw	M 6x 20	912		AISI 304
43	4	55-754-125	Hexagon socket screw	M 8x 40	912		AISI 304
44	1	55-756-101	Key	6x 6x20	6885A		AISI 316
45	1	55-756-028	Dubo ring	M 8 type 303	-		PA 6.6
46	2	55-756-028	Dubo ring	M 8 type 303	-		PA 6.6
47	1	55-757-083	Slotted head screw	M 6x 8	84a		CuZn 40
48	4	55-757-076	Data plate rivet	2.9x6.5	-		AISI 316
49	1	55-759-002	Cable lug	M 6 (2.5mm2)	-		
50	3	55-759-007	Cable connector	(2.5mm2)	-		
51	1	55-906-064	Hose clamp	80-100 mm	-		RVS+Nikkelsta
52	1	55-906-069	Oil	Marcol 152	-		
101	1	55-701-147-GG	Pump casing	RW2030/40 RW4030/40	-	1487	GG 25
102	1	55-708-286-NG	Impeller	250 RW	-	1898	GGG 40
103	1	55-713-226-RU	Impeller hubcap	ø30xø9x4	-	713-226	AISI 329
113	4	55-754-080	Hexagon socket screw	M12x 35	912		AISI 304
114	1	55-754-117	Hex. sock. screw counter sun	M 8x 18	Spec		AISI 316
120	1	55-760-101	Gasket	Ø298xØ256x2	-		CR

Supplement installation -F and -T

109	1	55-712-143-GG	Hose connection	4"-90gr.	-	1788	GG 25
109	(1)	55-712-144-GG	Hose connection	4"-3-90gr.	-	1789	GG 25
109	(1)	55-712-183-GG	Hose connection	4"-90gr. (SL)	-	2091	GG 25
111	4	55-753-152	Hexagon-head bolt	M12x 50	931		AISI 304
111	(4)	55-753-158	Stud bolt	M12x 35	939		AISI 316
117	4	55-755-083	Nut	M12	934		AISI 304
118	4	55-758-095	Washer	(M12)	125		AISI 304
121	1	55-761-002	Gasket	Ø140xØ105x2	-		CR
125	1	55-912-054	Shackle	10mm	-		AISI 316
130	1	55-715-118-ST	Support ring	stc 138 en stc 170	-		Fe galv
131	3	55-754-079	Hexagon socket screw	M10x 30	912		AISI 304

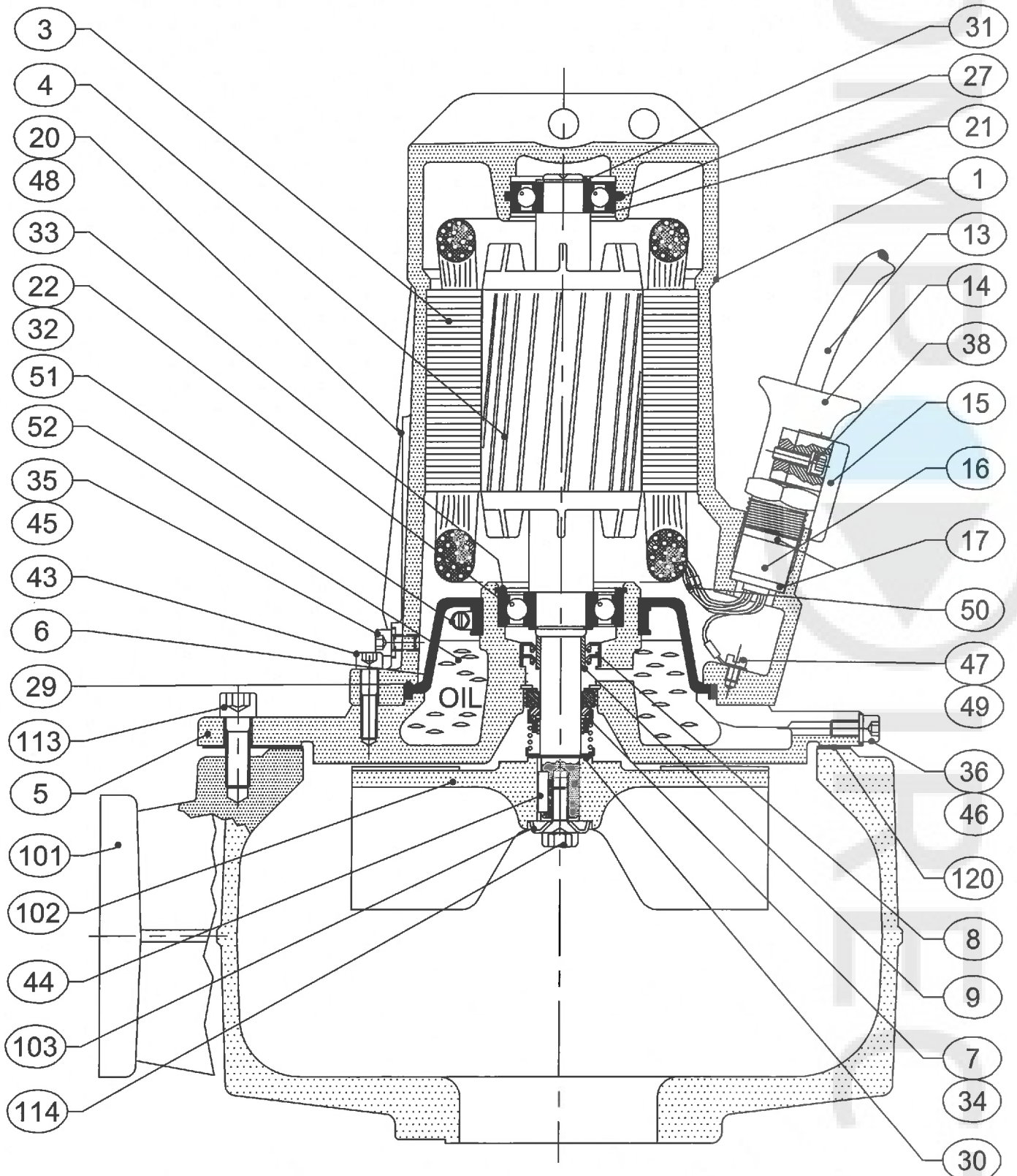
Supplement installation -H

107	1	55-710-261-ST	Suspension bracket	H-20g/40	-		Fe galv.
109	1	55-712-053-GG	Hose connection	4"	-	1293	GG 25
109	(1)	55-712-054-GG	Hose connection	6"-4	-	1748	GG 25
109	(1)	55-712-134-GG	Hose connection	3"-4	-	1735	GG 25
110	1	55-712-131-GG	Suction elbow	4"	-	1467A	GG 25
111	4	55-753-152	Hexagon-head bolt	M12x 50	931		AISI 304
112	3	55-754-027	Hexagon socket screw	M10x 25	912		AISI 304
115	2	55-754-077	Hexagon socket screw	M 8x 20	912		AISI 304
117	4	55-755-083	Nut	M12	934		AISI 304
118	4	55-758-095	Washer	(M12)	125		AISI 304
121	1	55-761-002	Gasket	Ø140xØ105x2	-		CR
125	1	55-912-054	Shackle	10mm	-		AISI 316

Supplement installation -V

Pos	Qty	Art.Code	Description		DIN	Model	Material
111	4	55-753-152	Hexagon-head bolt	M12x 50	931		AISI 304
112	4	55-758-095	Washer	(M12)	125		AISI 304
117	4	55-755-083	Nut	M12	934		AISI 304
121	1	55-761-002	Gasket	Ø140xØ105x2	-		CR
121	(1)	55-761-057	Gasket	Ø150xØ 97x2	-		CR
125	1	55-912-054	Shackle	10mm	-		AISI 316
Cable list DOL 220 - 500V 50Hz							
13	1	55-709-147	Cable	4x2.5mm2 Ø13.0- Ø15.0	-		Ozoflex
14	1	55-709-002-RZ	Cable entry	G 7/8"	-	2209A	AISI 316
15	1	55-709-006-RZ	Clamp	Ø12-14	-	2212	AISI 316
16	1	55-709-028	Cable sleeve	27.5x14x23	-		CR
17	2	55-709-125	Pressing ring	27.5x15x4	-		CuZn 40
Cable list YD 380 - 500V 50Hz							
13	1	55-709-225	Cable	7G1.5mm2	-		CR / EPR / Cu
14	1	55-709-002-RZ	Cable entry	G 7/8"	-	2209A	AISI 316
15	1	55-709-004-RZ	Clamp	Ø15-17	-	2210	AISI 316
16	1	55-709-029	Cable sleeve	27.5x16x23	-		CR
17	2	55-709-167	Pressing ring	27.5x18x4	-		CuZn 40

Parts list drawing



Parts list drawing

