

Pos	Qty	Art.Code	Description		DIN	Model	Material
1	1	55-700-196-GG	Motor housing	mh170-C	-	2025	GG 25
3	1	55-702-346-WK	Stator with thermo switches	2.4 kW-6	-	020-2115090F	
4	1	55-703-346-RM	Rotor	2.4 kW-6	-	030-3115090F	AISI 431
5	1	55-750-108	Ball bearing	6304 2RSH /C3 GJN	-		
6	1	55-750-054	Ball bearing	6307-2Z-C3	-		
10	1	55-704-169-GG	Seal housing	-C	-	2026	GG 25
10	(1)	55-704-169-GG	Seal housing	-C (extern)	-	2026	GG 25
12	1	55-706-314	Mechanical seal	Ø35	-		Carb/ceramic/N
13	1	55-706-318	Mechanical seal	Ø30	-		SiC/SiC/NBR
15	1	55-707-176-GG	Bearing housing	Ø 80	-	2027	GG 25
16	1	55-707-164-GG	Bearing retainer	M 90x2	-	1913	GG 25
22	2	55-709-273-RZ	Cable entry	Ø 45/ M42x1.5	-	2190	AISI 316
56	1	55-713-210-RZ	Data plate	Robot Pumps	-		AISI 316
58	2	55-709-337	Seal ring	20x12x2	-		FPM
59	1	55-751-004	O-ring	52.39x 3.53	-		NBR
60	1	55-751-054	O-ring	78.97x 3.53	-		NBR
61	1	55-751-149	O-ring	221.84x 3.53	-		NBR
62	1	55-751-149	O-ring	221.84x 3.53	-		NBR
63	2	55-751-186	O-ring	36.1x 3.53	-		NBR
65	1	55-760-137	Gasket	Ø285xØ234x0.5	-		Kling. C4430
66	1	55-752-002	Circlip	A 20x1.2	471		spring steel
67	1	55-752-004	Circlip	A 35x1.5	471		spring steel
70	1	55-757-083	Slotted head screw	M 6x 8	84a		CuZn 40
71	1	55-754-028	Hexagon socket screw	M 8x 16	912		AISI 304
73	3	55-754-092	Hexagon socket screw	M10x 20	912		AISI 304
75	4	55-754-120	Hexagon socket screw	M10x 45	912		AISI 304
76	8	55-754-082	Hexagon socket screw	M 6x 20	912		AISI 304
83	1	55-756-101	Key	6x 6x20	6885A		AISI 316
84	1	55-756-028	Dubo ring	M 8 type 303	-		PA 6.6
85	3	55-756-027	Dubo ring	M10 type 305	-		PA 6.6
87	8	55-757-076	Data plate rivet	2.9x6.5	-		AISI 316
94	1	55-759-002	Cable lug	M 6 (2.5mm2)	-		
96	1	55-906-069	Oil	Marcol 152	-		
101	(1)	55-701-147-GG	Pump casing	RW2030/40 RW4030/40	-	1487	GG 25
101	(1)	55-701-213-GG	Pump casing	RW4030-A BW20/4030	-	1487	GG 25
118	1	55-751-176	O-ring	249.3x 5.7	-		NBR
124	4	55-753-222	Stud bolt	M12x 30	939		AISI 316
130	4	55-755-083	Nut	M12	934		AISI 304
140	1	55-708-364-NG	Impeller	225 RW4040FE	-	1754	GGG 40
141	1	55-713-226-RU	Impeller hubcap	ø30xø9x4	-	713-226	AISI 329
145	1	55-754-117	Hex. sock. screw counter sun	M 8x 18	Spec		AISI 316
150	1	55-711-168-RZ	Cooling jacket	mh170	-		AISI 316
151	1	55-716-076	Cooling pipe	Ø16.00x1.00	-		AISI 316
152	1	55-751-089	O-ring	272.4x 6.99	-		NBR
155	4	55-753-220	Stud bolt	M12x 70	939		AISI 316
156	4	55-755-083	Nut	M12	934		AISI 304
157	4	55-756-112	Seal ring	24x12x5	-		CR
158	4	55-756-103	Cup ring	(M12)	-		AISI 316
159	1	55-756-132	Plug	G 3/8	910		AISI 316
160	1	55-756-147	Seal ring	17x24x2	-		PTFE
161	3	55-756-107	Plug	G 1/2	910		CuZn 40
162	3	55-713-034	Seal ring	A 21x26x1.5	-		Cu
163	(1)	55-756-140	Grub screw	M16x20	916a		AISI 316
200	1	55-710-364-NG	Suspension bracket	mh170-C	-	2034	GGG 40
218	1	55-761-060	Gasket	Ø140xØ105x2	-		FPM

**Supplement installation -A (horizontal)**

107	1	55-712-161-ST	Reducer flange	R100-NW100	-		Fe 360
107	(1)	55-712-214-ST	Reducer flange	R100-4" ANSI 150	-		Fe 360
108	1	55-712-181-ST	Suction flange	NW100 -H	-		Fe 360
112	1	55-709-325	Plug	G 3/8	910		CuZn 40
113	1	55-709-325	Plug	G 3/8	910		CuZn 40
114	1	55-713-175	Seal ring	A 17x23x1.5	-		Cu
115	1	55-713-175	Seal ring	A 17x23x1.5	-		Cu
128	4	55-754-135	Hexagon socket screw	M12x 45	912		AISI 304
129	6	55-754-027	Hexagon socket screw	M10x 25	912		AISI 304
131	4	55-755-083	Nut	M12	934		AISI 304
137	1	55-761-002	Gasket	Ø140xØ105x2	-		CR
138	1	55-760-138	Gasket	Ø158xØ100x3	-		CR
203	1	55-912-054	Shackle	10mm	-		AISI 316
230	1	55-710-371-ST	Support	A hor	-		Fe 360

Pos	Qty	Art.Code	Description		DIN	Model	Material
232	2	55-754-120	Hexagon socket screw	M10x 45	912		AISI 304
235	2	55-755-029	Nut	M10	934		AISI 304
240	1	55-710-370-ST	Support	A hor	-		Fe 360
242	2	55-754-099	Hexagon socket screw	M12x 30	912		AISI 304

**Supplement installation -A (vertical)**

107	1	55-712-161-ST	Reducer flange	R100-NW100	-		Fe 360
107	(1)	55-712-214-ST	Reducer flange	R100-4" ANSI 150	-		Fe 360
112	1	55-709-325	Plug	G 3/8	910		CuZn 40
113	1	55-709-325	Plug	G 3/8	910		CuZn 40
114	1	55-713-175	Seal ring	A 17x23x1.5	-		Cu
115	1	55-713-175	Seal ring	A 17x23x1.5	-		Cu
128	4	55-754-135	Hexagon socket screw	M12x 45	912		AISI 304
131	4	55-755-083	Nut	M12	934		AISI 304
133	4	55-758-095	Washer	(M12)	125		AISI 304
137	1	55-761-002	Gasket	Ø140xØ105x2	-		CR
138	1	55-760-138	Gasket	Ø158xØ100x3	-		CR
230	1	55-715-092-ST	Support	V NW100	-		Fe 360
232	6	55-754-027	Hexagon socket screw	M10x 25	912		AISI 304

**Supplement installation -F and -T**

203	1	55-912-054	Shackle	10mm	-		AISI 316
210	(1)	55-712-143-GG	Hose connection	4"-90gr.	-	1788	GG 25
210	(1)	55-712-144-GG	Hose connection	4"-3-90gr.	-	1789	GG 25
210	(1)	55-712-183-GG	Hose connection	4"-90gr. (SL)	-	2091	GG 25
211	(4)	55-753-152	Hexagon-head bolt	M12x 50	931		AISI 304
211	(4)	55-753-158	Stud bolt	M12x 35	939		AISI 316
213	4	55-755-083	Nut	M12	934		AISI 304
218	1	55-761-002	Gasket	Ø140xØ105x2	-		CR
230	1	55-715-118-ST	Support ring	stc 138 en stc 170	-		Fe galv
231	3	55-754-027	Hexagon socket screw	M10x 25	912		AISI 304

**Supplement installation -V**

203	1	55-912-054	Shackle	10mm	-		AISI 316
211	4	55-753-152	Hexagon-head bolt	M12x 50	931		AISI 304
213	4	55-755-083	Nut	M12	934		AISI 304
214	4	55-758-095	Washer	(M12)	125		AISI 304
218	1	55-761-002	Gasket	Ø140xØ105x2	-		CR
218	(1)	55-761-057	Gasket	Ø150xØ 97x2	-		CR

**Entry- blind (optional)**

36	1	55-709-267-gg	Cable entry	Ø45 (Ex)	-	2030	GG 25
44	1	55-751-189	O-ring	44.04x 3.53	-		NBR
46	4	55-758-079	Lock washer	(M 6)	127a		AISI 304

**Cable list DOL 380-500V with 3 aux. leaders or YD 220 - 500V 50**

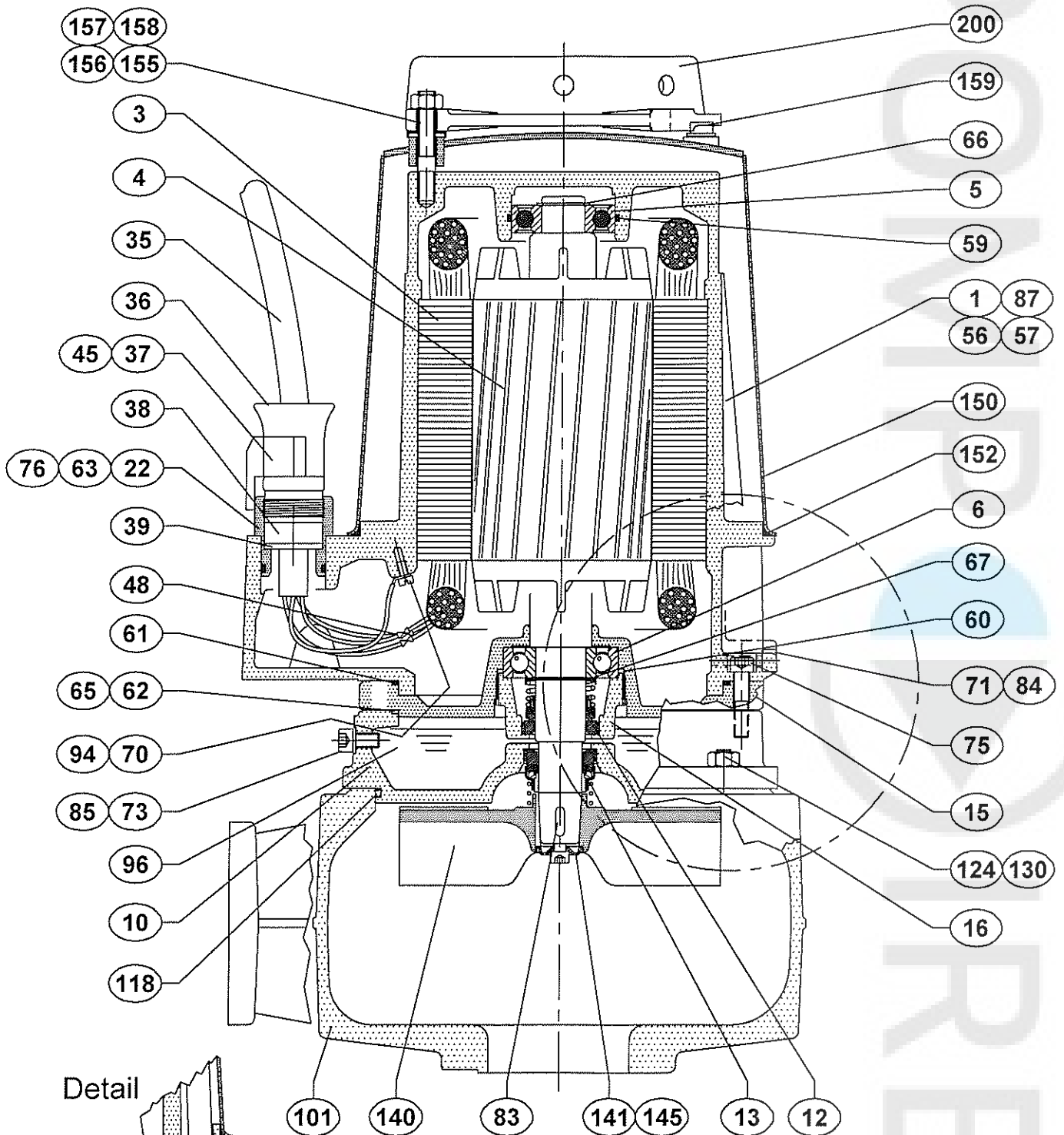
35	1	55-709-151	Cable	SUBCAB 7G2.5mm2	-		CR / EPR / Cu
36	1	55-709-274-RZ	Cable entry	M42x1.5	-	2191	AISI 316
37	1	55-709-276-RZ	Clamp	Ø20-25	-	2192	AISI 316
38	1	55-709-282	Cable sleeve	39x21x24	-		CR
39	2	55-709-285	Pressing ring	38.5x24x3.5	-		AISI 316
45	2	55-754-077	Hexagon socket screw	M 8x 20	912		AISI 304
48	6	55-759-007	Cable connector	(2.5mm2)	-		

**Option: cable entry and protection sleeve (AISI 316)**

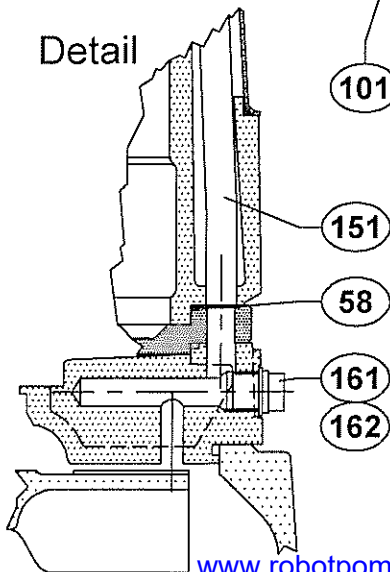
36	2	55-709-302	Cable entry	M42x1.5/G1"	-		AISI 316
40	2	55-709-270	Cable hose	Ø25 l=3 m	-		AISI 316
40	(2)	55-709-314	Cable hose	Ø25 l=5 m	-		AISI 316
40	(2)	55-709-348	Cable hose	Ø25 l=10 m	-		AISI 316
41	2	55-751-202	O-ring	34x 3.00	-		FPM

Pos	Qty	Art.Code	Description		DIN	Model	Material
42	2	55-709-301	Seal ring	30x22x2	-		PTFE
<b>Option: rotorshaft with AISI 316 shaftend</b>							
4	1	55-703-445-RZ	Rotor	2.4 kW-6	-	030-3115090F	AISI 420/431
<b>Optional viton seals</b>							
13	1	55-706-317	Mechanical seal	Ø30	-		SiC/SiC/FPM
61	1	55-751-181	O-ring	221.84x 3.53	-		FPM
62	1	55-751-181	O-ring	221.84x 3.53	-		FPM
84	1	55-756-127	Seal ring	(M 8)	-		PTFE
85	3	55-756-128	Seal ring	(M10)	-		PTFE
118	1	55-751-221	O-ring	249.3x 5.7	-		FPM
218	1	55-761-060	Gasket	Ø140xØ105x2	-		FPM
<b>Option: impeller in special material</b>							
140	1	55-708-364-RZ	Impeller	225 RW4040FE	-	1884	AISI 316
<b>Option: waterdetector</b>							
15	1	55-707-176-GG	Bearing housing	Ø 80	-	2027	GG 25
300	1	55-717-122	Water detector	M16x1.5	-		
300	1	55-717-031	Line bushing	M15x 1 1/2	-		
301	1	55-717-033	Detector		-		CuZn 40
303	1	55-759-083	Wire clamp	(2.5mm2)	-		
306	1	55-759-105	Contact lip	(2.5mm2)	-		

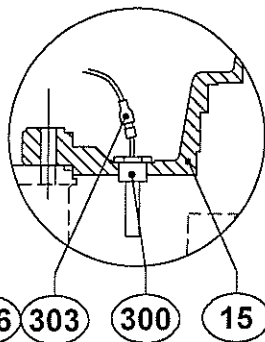
# Parts list drawing



Detail



Optional water detector



Option: cable entry and protection sleeve (AISI316)

