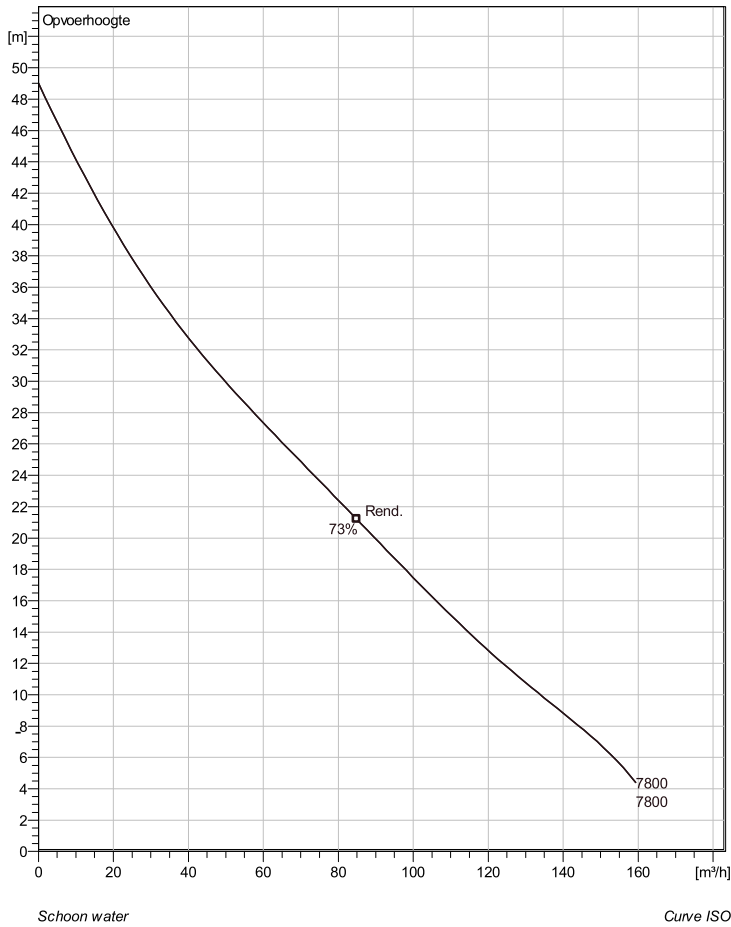


Concertor DP N80-7800

Technische specificaties



Note: Picture might not correspond to the current configuration.

General

A process controlled wastewater pumping system that consists of as many pumps as required by the customer's application, as well as one gateway per pump. Suitable for customers who own specially designed process control algorithms and want to benefit it from lower capital costs, smaller control cabinets and higher pump system efficiencies as well as clog detection and pump cleaning.

Impeller

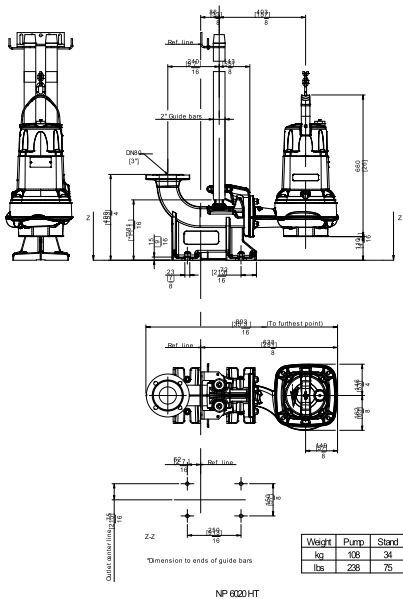
Impeller material	Grey cast iron
Persaansluiting	80 mm
Diameter aanzuigzijde	100 mm
Impeller diameter	170 mm
Aantal bladen	2

Motor

Motor #	N6020.180 18-08-1AZ-W 7.3KW standaard
Frequentie	50/60 Hz
Nominale spanning	400 V
Fasen	3~
Nominaal vermogen	7,3 kW
Set power	7800 W
Toegekende stroom	12 A
Aanloopstroom	12 A
Rated speed	800-3216 rpm
Vermogensfactor	1/1 Load 3/4 Load 1/2 Load
Drive and Motor efficiency	1/1 Load 3/4 Load 1/2 Load

Configuration

Soort installatie: Semi Permanent, Nat



Project	Project ID	Created by	Created on	Last update
			4/29/2018	

Concertor DP N80-7800 Monitoring & Control producten

Gateway

Ja

Power Supply	24 V DC
Ports	1 x USB 1 x RS485 1 X Ethernet RJ 45 1 x Display interface, CAN
Communication	Modbus RTU Modbus TCP
Standard I/O	4 x Digital outputs 4 x Digital inputs 1 x Analog input 1 x Analog output
Pump Interface	1 x Pump Communication Port
User Interface	14 x LED 1 x Rotator Switch
Data Logging	1000 data points
Environment Class	Protection class: IP 20 Operation temperature: -20°C to +70°C
Software Version	DP software – Variable performance control via external signal, status and alarms
Approvals	CE, UL, CSA

Interface (HMI)

None

Project	Project ID	Created by	Created on	Last update
			4/29/2018	

Concertor DP N80-7800

Karakteristiek

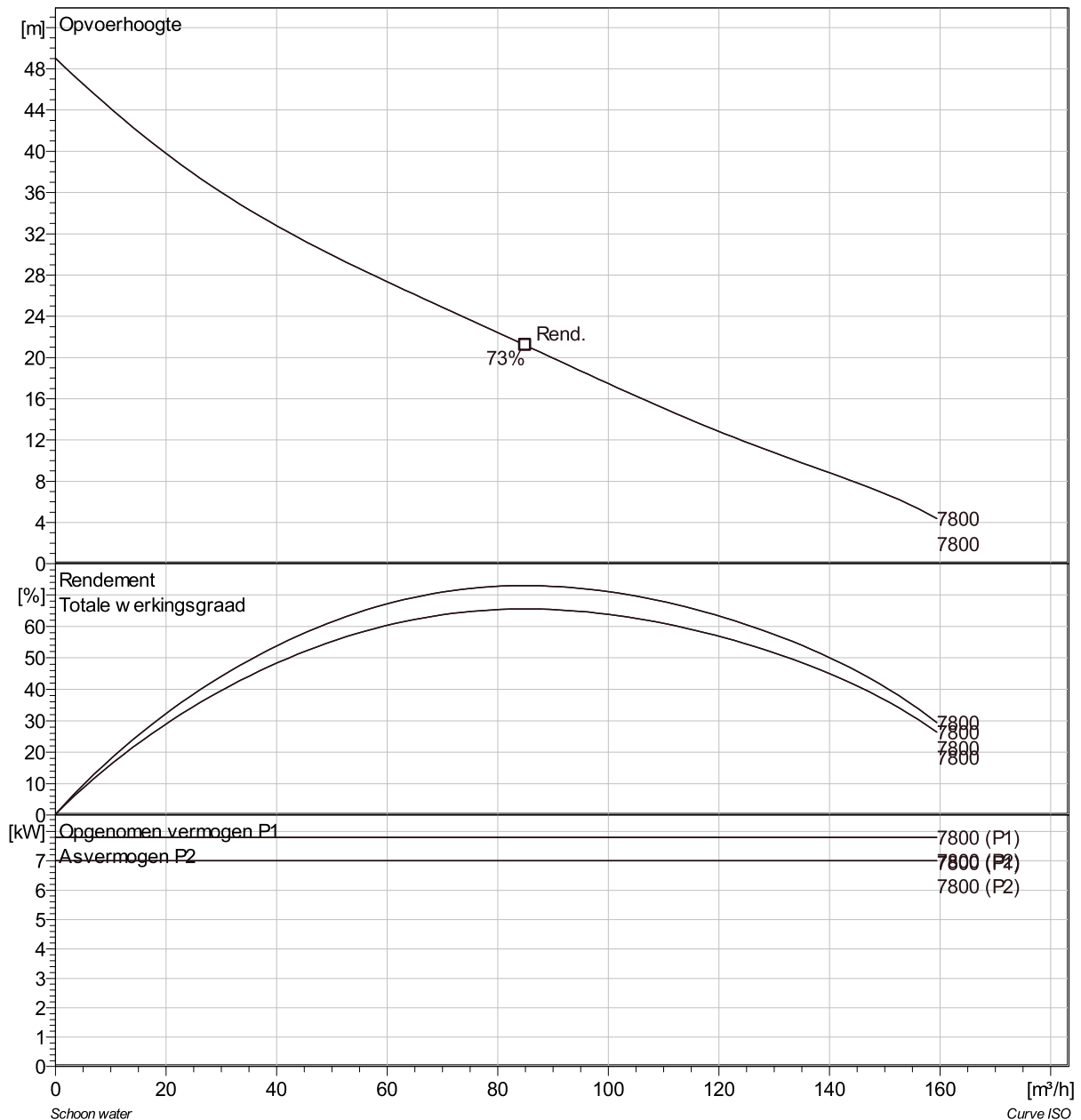
Pomp

Persaansluiting 80 mm
 Diameter aanzuigzijde 100 mm
 Impeller diameter 170 mm
 Aantal bladen 2

Motor

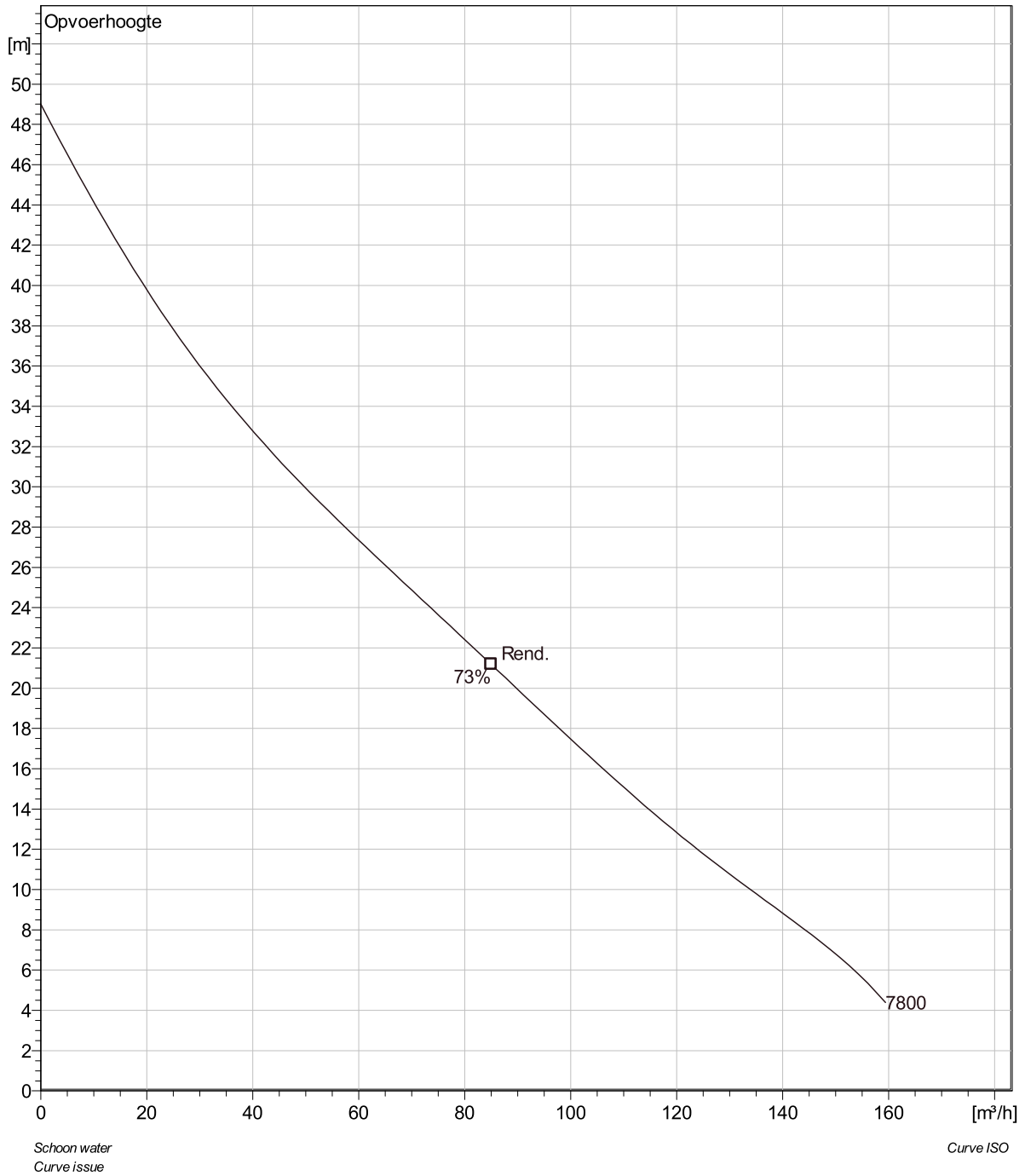
Motor # N6020.180 18-08-1AZ-W 7.3KW
 Frequentie 50/60 Hz
 Nominale spanning 400 V
 Fasen 3~
 Nominaal vermogen 7,3 kW
 Set power 7800 W
 Toegekende stroom 12 A
 Aanloopstroom 12 A
 Rated speed 800-3216 rpm

Vermogensfactor
 1/1 Load
 3/4 Load
 1/2 Load
 Drive and Motor efficiency
 1/1 Load
 3/4 Load
 1/2 Load



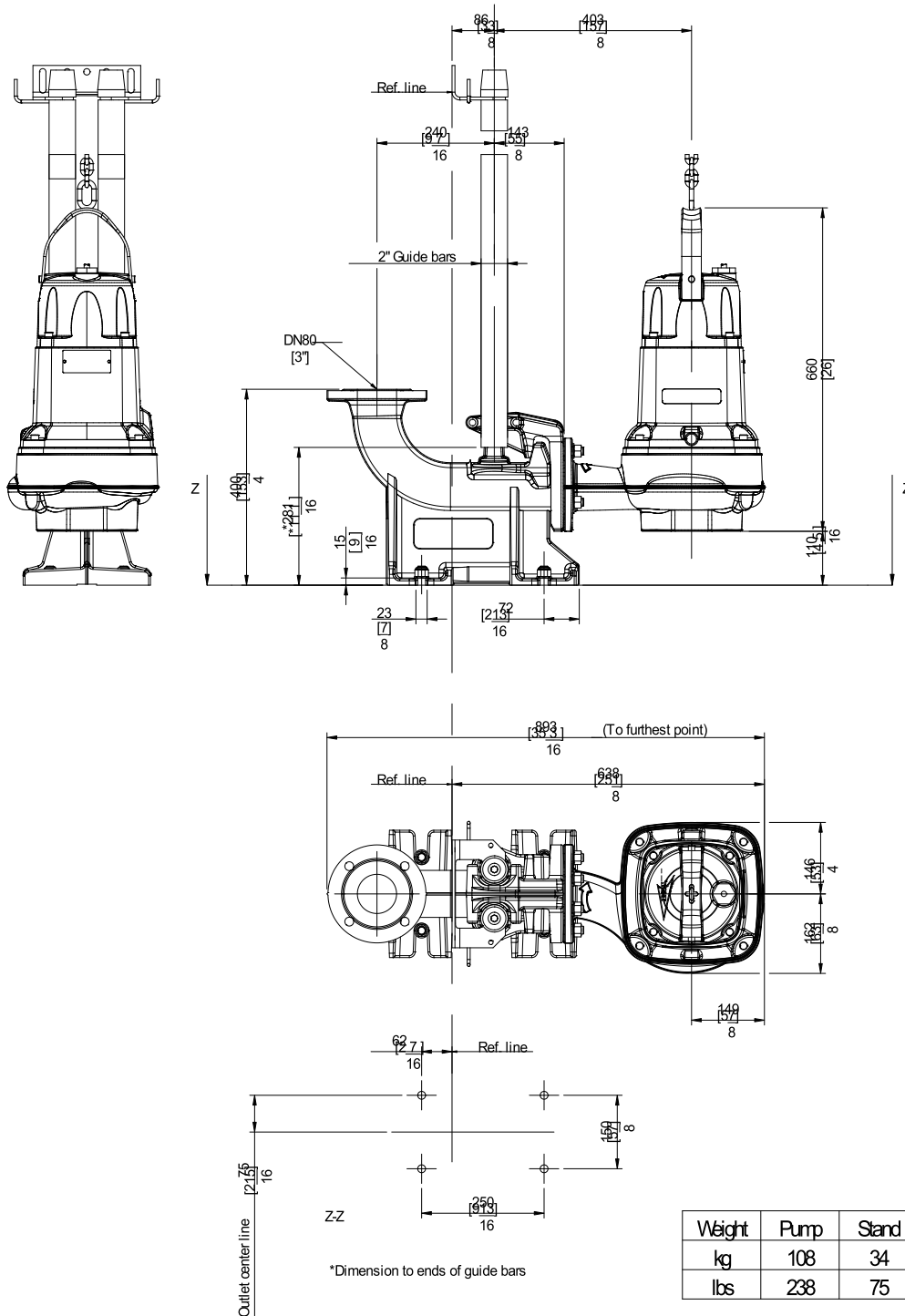
Project	Project ID	Created by	Created on 4/29/2018	Last update
---------	------------	------------	-------------------------	-------------

Concertor DP N80-7800
Duty Analysis



Project	Project ID	Created by	Created on	Last update
			4/29/2018	

Concertor DP N80-7800 Dimensional drawing



NP6020HT

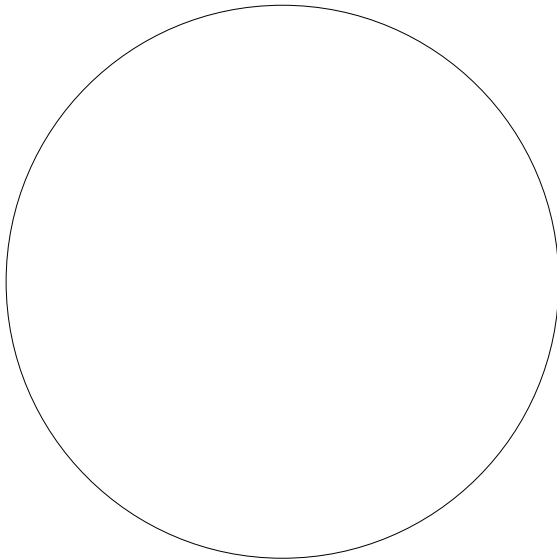
Project	Project ID	Created by	Created on 4/29/2018	Last update
---------	------------	------------	-------------------------	-------------

Concertor DP N80-7800

Life cycle costs (LCC)

Total lifetime	15	Inflation rate (rate of price increases)	2 %
Annual operating time	5600	Interest rate (for investment)	3 %
Energy cost per kWh	0,00 EUR		
Opgenomen vermogen P1			

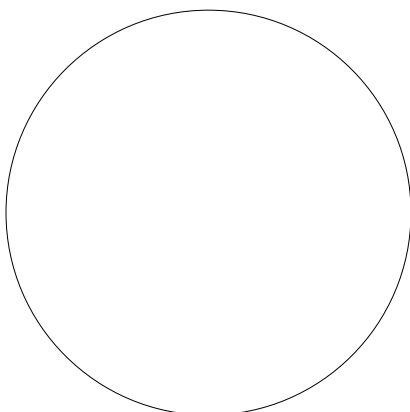
Totale prijs



- 0%** **0,00 EUR** Energy
- 0%** **0,00 EUR** Investment costs
- 0%** **0,00 EUR** Installation & commissioning
- 0%** **0,00 EUR** Operating cost
- 0%** **0,00 EUR** Maintenance & repair
- 0%** **0,00 EUR** Downtime
- 0%** **0,00 EUR** Environmental
- 0%** **0,00 EUR** Decommissioning

EUR

First year costs



- 0%** **0,00 EUR** Energy (1st year)
- 0%** **0,00 EUR** Investment costs (1st year)
- 0%** **0,00 EUR** Installation & commissioning (1st year)
- 0%** **0,00 EUR** Operating cost (1st year)
- 0%** **0,00 EUR** Maintenance & repair (1st year)
- 0%** **0,00 EUR** Downtime (1st year)
- 0%** **0,00 EUR** Environmental (1st year)
- 0%** **0,00 EUR** Decommissioning (1st year)

EUR

Disclaimer: The calculations and the results are based on user input values and general assumptions and provide only estimated costs for the input data. Xylem inc can therefore not guarantee that the estimated savings will actually occur.

Project	Project ID	Created by	Created on 4/29/2018	Last update
---------	------------	------------	--------------------------------	-------------